

honor  Plus
Quick Start Guide



The N-Mark is a trademark or registered trademark of NFC Forum, Inc. in the United States and in other countries.



For DTS patents, see <http://patents.dts.com>. Manufactured under license from DTS Licensing Limited. DTS, the Symbol, & DTS and the Symbol together are registered trademarks, and DTS Sound is a trademark of DTS, Inc. © DTS, Inc. All Rights Reserved.

Please visit

<http://consumer.huawei.com/en/support/hotline>
for recent updated hotline and email address
in your country or region.

Model: PE-TL10

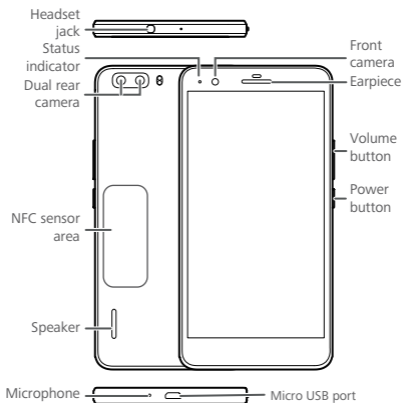
Contents

English	1
Español	21
Français	31
香港繁體	39
Indonesia	45
Melayu	53
Português	61
Русский	69
Tiếng Việt	84
ภาษาไทย	92

Your phone at a glance

Before you start, let's take a look at your new phone. Press and hold the power button to turn your phone on or off.

- i** To forcibly restart your phone, press and hold the power button until your phone vibrates.

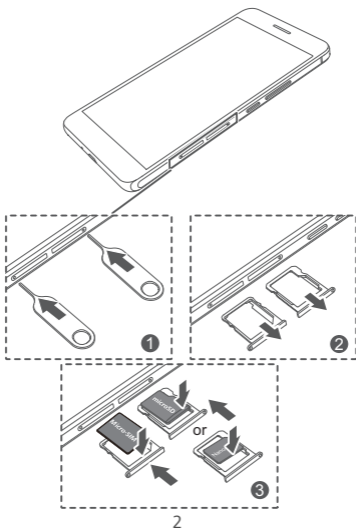


Getting started

Follow the instructions in the following figures to set up your phone. Do not insert or remove a SIM card while your phone is on.

⊘ Please exercise caution when using the SIM ejector pin to avoid hurting your fingers or damaging your phone. Store your pin in a safe place out of the reach of children to prevent them from swallowing it or injuring themselves by accident.

⚠ Insert the SIM card into the correct card slot to ensure that it can be recognized by the phone.



For more information

Want to obtain the full user guide?

Download the User Guide from
<http://consumer.huawei.com/en>.

- i** All pictures and illustrations in this guide, including but not limited to the phone color, size, and display content, are for your reference only. The actual product may vary. Nothing in this guide constitutes a warranty of any kind, express or implied.

Safety information

This section contains important information about the operation of your device. It also contains information about how to use the device safely. Read this information carefully before using your device.

Electronic device

Do not use your device if using the device is prohibited. Do not use the device if doing so causes danger or interference with other electronic devices.

Interference with medical equipment

- Follow rules and regulations set forth by hospitals and health care facilities. Do not use your device where prohibited.
- Some wireless devices may affect the performance of hearing aids or pacemakers. Consult your service provider for more information.
- Pacemaker manufacturers recommend that a minimum distance of 15 cm be maintained between a device and a pacemaker to prevent potential interference with the pacemaker. If using a pacemaker, hold the device on the side opposite the pacemaker and do not carry the device in your front pocket.

Protecting your hearing when using a headset



- To prevent possible hearing damage, do not listen at high volume levels for long periods.

- Using a headset at high volumes may damage your hearing. To reduce this risk, lower the headset volume to a safe and comfortable level.
- Exposure to high volumes while driving may cause distraction and increase your risk of an accident.

Areas with flammables and explosives

- Do not use the device where flammables or explosives are stored (in a gas station, oil depot, or chemical plant, for example). Using your device in these environments increases the risk of explosion or fire. In addition, follow the instructions indicated in text or symbols.
- Do not store or transport the device in containers with flammable liquids, gases, or explosives.

Traffic security

- Observe local laws and regulations while using the device. To reduce the risk of accidents, do not use your wireless device while driving.
- Concentrate on driving. Your first responsibility is to drive safely.
- Do not hold the device while driving. Use hands-free accessories.
- When you must make or answer a call, pull off the road safely and park the vehicle first.
- RF signals may affect the electronic systems of motor vehicles. For more information, consult the vehicle manufacturer.
- Do not place the device over the air bag or in the air bag deployment area in a motor vehicle. Doing so

may hurt you because of the strong force when the air bag inflates.

- Do not use your device while flying in an aircraft or immediately before boarding. Using wireless devices in an aircraft may disrupt wireless networks, present a hazard to aircraft operation, or be illegal.

Operating environment

- Avoid dusty, damp, or dirty environments. Avoid magnetic fields. Using the device in these environments may result in circuit malfunctions.
- Do not use your device during thunderstorms to protect your device against any danger caused by lightning.
- Ideal operating temperatures are 0 °C to 35 °C. Ideal storage temperatures are -20 °C to 70 °C. Extreme heat or cold may damage your device or accessories.
- Do not expose your device to direct sunlight (such as on a car dashboard) for prolonged periods.
- To protect your device or accessories from fire or electrical shock hazards, avoid rain and moisture.
- Keep the device away from sources of heat and fire, such as a heater, microwave oven, stove, water heater, radiator, or candle.
- Do not place sharp metal objects, such as pins, near the earpiece or speaker. The earpiece may attract these objects and result in injury.
- Stop using your device or applications for a while if the device is overheated. If skin is exposed to an overheated device for an extended period, low temperature burn symptoms, such as red spots and darker pigmentation, may occur.

- Do not use your device's camera flash directly in the eyes of people or pets. Otherwise temporary loss of vision or damage to the eyes may occur.
- Do not touch the device's antenna. Otherwise, communication quality may be reduced.
- Do not allow children or pets to bite or suck the device or accessories. Doing so may result in damage or explosion.
- Observe local laws and regulations, and respect the privacy and legal rights of others.

Child's safety

- Comply with all precautions with regard to child's safety. Letting children play with the device or its accessories may be dangerous. The device includes detachable parts that may present a choking hazard. Keep away from children.
- The device and its accessories are not intended for use by children. Children should only use the device with adult supervision.

Accessories

- Using an unapproved or incompatible power adapter, charger or battery may cause fire, explosion or other hazards.
- Choose only accessories approved for use with this model by the device manufacturer. The use of any other types of accessories may void the warranty, may violate local regulations and laws, and may be dangerous. Please contact your retailer for information about the availability of approved accessories in your area.

Charger safety

- For pluggable devices, the socket-outlet shall be installed near the devices and shall be easily accessible.
- Unplug the charger from electrical outlets and the device when not in use.
- Do not drop or cause an impact to the charger.
- If the power cable is damaged (for example, the cord is exposed or broken), or the plug loosens, stop using it at once. Continued use may lead to electric shocks, short circuits, or fire.
- Do not touch the power cord with wet hands or pull the power cord to disconnect the charger.
- Do not touch the device or the charger with wet hands. Doing so may lead to short circuits, malfunctions, or electric shocks.
- If your charger has been exposed to water, other liquids, or excessive moisture, take it to an authorized service center for inspection.
- Ensure that the charger meets the requirements of Clause 2.5 in IEC60950-1/EN60950-1/UL60950-1 and has been tested and approved according to national or local standards.
- Connect the device only to products with the USB-IF logo or with USB-IF compliance program completion.

Battery safety

- Do not connect battery poles with conductors, such as keys, jewelry, or other metal materials. Doing so may short-circuit the battery and cause injuries or burns.

- Keep the battery away from excessive heat and direct sunlight. Do not place it on or in heating devices, such as microwave ovens, stoves, or radiators. Batteries may explode if overheated.
- Do not attempt to modify or remanufacture the battery, insert foreign objects into it, or immerse or expose it to water or other liquids. Doing so may lead to fire, explosion, or other hazards.
- If the battery leaks, ensure that the electrolyte does not make direct contact with your skins or eyes. If the electrolyte touches your skins or splashes into your eyes, immediately flush with clean water and consult a doctor.
- In case of battery deformation, color change, or overheating while charging or storing, immediately stop using the device and replace the battery. Continued use may lead to battery leakage, fire, or explosion.
- Do not put batteries in fire as they may explode. Damaged batteries may also explode.
- Dispose of used batteries in accordance with local regulations. Improper battery use may lead to fire, explosion, or other hazards.
- Do not allow children or pets to bite or suck the battery. Doing so may result in damage or explosion.
- Do not smash or pierce the battery, or expose it to high external pressure. Doing so may lead to a short circuit or overheating.
- Do not drop the device or battery. If the device or battery is dropped, especially on a hard surface, it may be damaged.

- If the device standby time shortens significantly, replace the battery.
- The device has a built-in, non-removable battery. Do not attempt to remove the battery, otherwise the device may be damaged. To replace the battery, take the device to an authorized service center.

Cleaning and maintenance

- Keep the device and accessories dry. Do not attempt to dry it with an external heat source, such as a microwave oven or hair dryer.
- Do not expose your device or accessories to extreme heat or cold. These environments may interfere with proper function and may lead to fire or explosion.
- Avoid collision, which may lead to device malfunctions, overheating, fire, or explosion.
- Before you clean or maintain the device, stop using it, stop all applications, and disconnect all cables connected to it.
- Do not use any chemical detergent, powder, or other chemical agents (such as alcohol and benzene) to clean the device or accessories. These substances may cause damage to parts or present a fire hazard. Use a clean, soft, and dry cloth to clean the device and accessories.
- Do not place magnetic stripe cards, such as credit cards and phone cards, near the device for extended periods of time. Otherwise the magnetic stripe cards may be damaged.
- Do not dismantle or remanufacture the device and its accessories. This voids the warranty and releases the manufacturer from liability for damage. In case of

damage, contact an authorized service center for assistance or repair.

- If the device screen is broken in a collision, immediately stop using the device. Do not touch or attempt to remove the broken parts. Promptly contact an authorized service center.

Emergency calls

The availability of emergency calls is subject to your cellular network quality, service provider policy, and local laws and regulations. Never rely solely on your device for critical communications like medical emergencies.

Disposal and recycling information



This symbol (with or without a solid bar) on the device, batteries (if included), and/or the packaging, indicates that the device and its electrical accessories (for example, a headset, adapter, or cable) and batteries should not be disposed of

as household garbage. These items should not be disposed of as unsorted municipal waste and should be taken to a certified collection point for recycling or proper disposal.

For more detailed information about device or battery recycling, contact your local city office, household waste disposal service, or retail store.

Disposal of the device and batteries (if included) is subject to WEEE Directive Recast (Directive 2012/19/EU) and Battery Directive (Directive 2006/66/EC). The purpose of separating WEEE and batteries from other waste is to minimize the potential environmental impacts and

human health risk of any hazardous substances that may be present.

Reduction of hazardous substances

This device is compliant with the REACH Regulation [Regulation (EC) No 1907/2006] and RoHS Directive Recast (Directive 2011/65/EU). Batteries (if included) are compliant with the Battery Directive (Directive 2006/66/EC). For up-to-date information about REACH and RoHS compliance, please visit the web site <http://consumer.huawei.com/certification>.

EU regulatory conformance

Body worn operation

The device complies with RF specifications when used near your ear or at a distance of 1.5 cm from your body. Ensure that the device accessories, such as a device case and device holster, are not composed of metal components. Keep the device away from your body to meet the distance requirement.

Certification information (SAR)

This device meets guidelines for exposure to radio waves. Your device is a low-power radio transmitter and receiver. As recommended by international guidelines, the device is designed not to exceed the limits for exposure to radio waves. These guidelines were developed by the International Commission on Non-Ionizing Radiation Protection (ICNIRP), an independent scientific organization, and include safety measures designed to ensure the safety of all users, regardless of age and health.

The Specific Absorption Rate (SAR) is the unit of measurement for the amount of radio frequency energy absorbed by the body when using a device. The SAR value is determined at the highest certified power level in laboratory conditions, but the actual SAR level during operation can be well below the value. This is because the device is designed to use the minimum power required to reach the network.

The SAR limit adopted by Europe is 2.0 W/kg averaged over 10 grams of tissue, and the highest SAR value for this device complies with this limit.

The highest SAR value reported for this device type when tested at the ear is 0.284 W/kg, and when properly worn on the body is 0.464 W/kg.

Statement

Hereby, Huawei Technologies Co., Ltd. declares that this device is in compliance with the essential requirements and other relevant provisions of Directive 1999/5/EC.

For the declaration of conformity, visit the web site <http://consumer.huawei.com/certification>.

The following marking is included in the product:

CE 0197 

This device may be operated in all member states of the EU.

Observe national and local regulations where the device is used.

This device may be restricted for use, depending on the local network.

Restrictions in the 2.4 GHz band:

Norway: This subsection does not apply for the geographical area within a radius of 20 km from the centre of Ny-Ålesund.

Restrictions in the 5 GHz band:

WLAN function of this device is restricted only to indoor use when operating in the 5150 to 5350 MHz frequency range.

Thailand SAR Statement:

This telecommunication equipment conforms to the requirements of the National Telecommunications Commission.

This radiocommunication equipment has the specific absorption rate (SAR) of 0.464 W/kg as related to the equipment, which is in compliance with the Safety Standard for the Use of Radiocommunication Equipment on Human Health announced by the National Telecommunications Commission.

Singapore IDA Certification:

This device is compliance with IDA standards DB103323. The electronic compliance labeling locates at phone **Settings >> About phone >> Certification.**

Australia RCM Certificate:

The RCM Mark can be found in the device's setting menu 'Settings' -> 'About phone' -> 'Certification'.

Personal Information and Data Security

The use of some functions or third-party applications on your device could result in your personal information and data being lost or becoming accessible to others. Several measures are recommended to help you protect personal and confidential information.

- Place your device in a safe area to prevent it from unauthorized use.
- Set your device screen to lock and create a password or unlock pattern to open it.
- Periodically back up personal information kept on your card, memory card, or stored in your device memory. If you change to a different device, be sure to move or delete any personal information on your old device.
- If you are worried about viruses when you receive messages or emails from a stranger, you can delete them without opening them.
- If you use your device to browse the Internet, avoid websites that might pose a security risk to avoid theft of your personal information.
- If you use services such as Wi-Fi tether or Bluetooth, set passwords for these services to prevent unauthorized access. When these services are not in use, turn them off.
- Install or upgrade device security software and regularly scan for viruses.

- Be sure to obtain third-party applications from a legitimate source. Downloaded third-party applications should be scanned for viruses.
- Install security software or patches released by Huawei or third-party application providers.
- Some applications require and transmit location information. As a result, a third-party may be able to share your location information.
- Your device may provide detection and diagnostic information to third-party application providers. Third party vendors use this information to improve their products and services.

Legal Notice


Copyright © Huawei Technologies Co., Ltd. 2015. All rights reserved.

No part of this manual may be reproduced or transmitted in any form or by any means without prior written consent of Huawei Technologies Co., Ltd. and its affiliates ("Huawei").

The product described in this manual may include copyrighted software of Huawei and possible licensors. Customers shall not in any manner reproduce, distribute, modify, decompile, disassemble, decrypt, extract, reverse engineer, lease, assign, or sublicense the said software, unless such restrictions are prohibited by applicable laws or such actions are approved by respective copyright holders.

Trademarks and Permissions



honor, HUAWEI, HUAWEI, and  are trademarks or registered trademarks of Huawei Technologies Co., Ltd.

Android™ is a trademark of Google Inc.

LTE is a trade mark of ETSI.

The *Bluetooth*® word mark and logos are registered trademarks owned by *Bluetooth SIG, Inc.* and any use of such marks by Huawei Technologies Co., Ltd. is under license.

Other trademarks, product, service and company names mentioned may be the property of their respective owners.

Notice

Some features of the product and its accessories described herein rely on the software installed, capacities and settings of local network, and therefore may not be activated or may be limited by local network operators or network service providers.

Thus, the descriptions herein may not exactly match the product or its accessories which you purchase.

Huawei reserves the right to change or modify any information or specifications contained in this manual without prior notice and without any liability.

Third-Party Software Statement

Huawei does not own the intellectual property of the third-party software and applications that are delivered with this product. Therefore, Huawei will not provide any warranty of any kind for third party software and applications. Neither will Huawei provide support to customers who use third-party software and applications, nor be responsible or liable for the functions or performance of third-party software and applications.

Third-party software and applications services may be interrupted or terminated at any time, and Huawei does not guarantee the availability of any content or service. Third-party service providers provide content and services through network or transmission tools outside of the control of Huawei. To the greatest extent permitted by applicable law, it is explicitly stated that Huawei shall not compensate or be liable for services provided by third-party service providers, or the

interruption or termination of third-party contents or services.

Huawei shall not be responsible for the legality, quality, or any other aspects of any software installed on this product, or for any uploaded or downloaded third-party works in any form, including but not limited to texts, images, videos, or software etc. Customers shall bear the risk for any and all effects, including incompatibility between the software and this product, which result from installing software or uploading or downloading the third-party works.

This product is based on the open-source Android™ platform. Huawei has made necessary changes to the platform. Therefore, this product may not support all the functions that are supported by the standard Android platform or may be incompatible with third-party software. Huawei does not provide any warranty or representation in connect with any such compatibility and expressly excludes all liability in connection with such matters.

DISCLAIMER

ALL CONTENTS OF THIS MANUAL ARE PROVIDED "AS IS". EXCEPT AS REQUIRED BY APPLICABLE LAWS, NO WARRANTIES OF ANY KIND, EITHER EXPRESS OR IMPLIED, INCLUDING BUT NOT LIMITED TO, THE IMPLIED WARRANTIES OF MERCHANTABILITY AND FITNESS FOR A PARTICULAR PURPOSE, ARE MADE IN RELATION TO THE ACCURACY, RELIABILITY OR CONTENTS OF THIS MANUAL.

TO THE MAXIMUM EXTENT PERMITTED BY APPLICABLE LAW, IN NO EVENT SHALL HUAWEI BE LIABLE FOR ANY

SPECIAL, INCIDENTAL, INDIRECT, OR CONSEQUENTIAL DAMAGES, OR LOSS OF PROFITS, BUSINESS, REVENUE, DATA, GOODWILL SAVINGS OR ANTICIPATED SAVINGS REGARDLESS OF WHETHER SUCH LOSSES ARE FORSEEABLE OR NOT.

THE MAXIMUM LIABILITY (THIS LIMITATION SHALL NOT APPLY TO LIABILITY FOR PERSONAL INJURY TO THE EXTENT APPLICABLE LAW PROHIBITS SUCH A LIMITATION) OF HUAWEI ARISING FROM THE USE OF THE PRODUCT DESCRIBED IN THIS MANUAL SHALL BE LIMITED TO THE AMOUNT PAID BY CUSTOMERS FOR THE PURCHASE OF THIS PRODUCT.

Import and Export Regulations

Customers shall comply with all applicable export or import laws and regulations and be responsible to obtain all necessary governmental permits and licenses in order to export, re-export or import the product mentioned in this manual including the software and technical data therein.

Privacy Policy

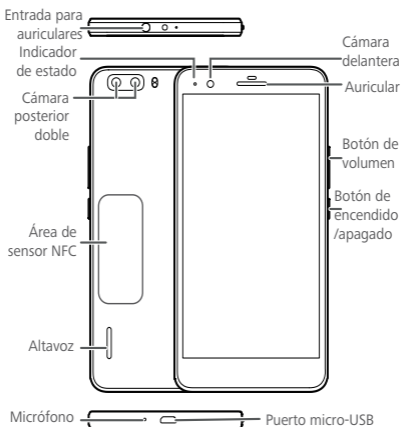
To better understand how we protect your personal information, please see the privacy policy at <http://consumer.huawei.com/privacy-policy>.

Descripción rápida del teléfono

Para comenzar, observemos el teléfono nuevo.

Mantenga presionado el botón de encendido/apagado para encender o apagar el teléfono.

- i** Para reiniciar el teléfono forzosamente, mantenga presionado el botón de encendido/apagado hasta que el teléfono vibre.

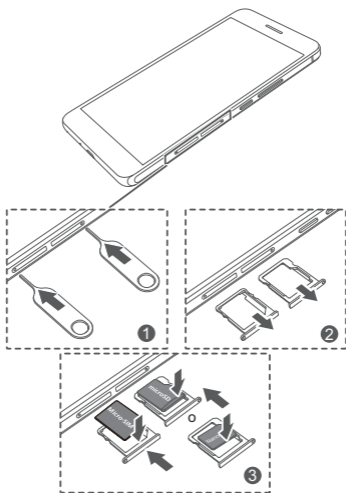


Pasos iniciales

Siga las instrucciones que se muestran en las figuras para configurar el teléfono. No inserte ni extraiga la tarjeta SIM con el teléfono encendido.

⊘ Tenga cuidado cuando utilice la herramienta para extraer la SIM, para evitar lastimarse los dedos o dañar el teléfono. Guarde la herramienta en un lugar seguro, fuera del alcance de los niños para evitar que la ingieran o se lastimen con ella por accidente.

⚠ Inserte la tarjeta SIM en la ranura correcta para asegurarse de que el teléfono la reconozca.



Información de seguridad

Esta sección contiene información importante sobre el funcionamiento del dispositivo. Describe, además, cómo utilizar el dispositivo de manera segura. Lea esta información atentamente antes de utilizar el dispositivo.

Interferencias con dispositivos médicos

- Cumpla con las reglas y normas vigentes de los hospitales y centros de salud. No utilice el dispositivo en lugares donde su uso esté prohibido.
- Algunos dispositivos inalámbricos pueden afectar el funcionamiento de los audífonos o marcapasos. Comuníquese con el proveedor de servicios para obtener más información.
- Los fabricantes de marcapasos recomiendan mantener una distancia mínima de 15 cm entre el teléfono móvil y un marcapasos para evitar posibles interferencias. En caso de tener un marcapasos, use el teléfono en el lado opuesto y no lo lleve en el bolsillo delantero.

Entorno de operación



- Para evitar daños al oído, no escuche música a un volumen muy elevado por períodos prolongados.
- El rango ideal de temperatura de operación es de 0 °C a 35 °C. El rango ideal de temperatura de almacenamiento es de -20 °C a 70 °C. El calor o el frío extremos pueden dañar el dispositivo o sus accesorios.

- Mantenga el dispositivo alejado del fuego o de fuentes de calor (por ejemplo, estufas, hornos de microondas, cocinas, calentadores, radiadores o velas).
- El uso de baterías, cargadores o adaptadores no autorizados o incompatibles puede generar incendios, explosiones u otras situaciones peligrosas.
- En el caso de los dispositivos enchufables, el tomacorriente debe encontrarse cerca del dispositivo y debe ser de fácil acceso.
- No exponga la batería a condiciones de calor excesivo y a la luz directa del sol. No la coloque por encima de dispositivos de calentamiento, ni dentro de ellos, como hornos de microondas, cocinas o radiadores. Si se recalientan, las baterías pueden explotar.
- No arroje las baterías al fuego ya que pueden explotar. Las baterías dañadas también pueden explotar.
- Deseche las baterías usadas de acuerdo con las normas locales. El uso no adecuado de la batería puede generar incendios, explosiones u otras situaciones peligrosas.
- El dispositivo tiene una batería integrada que no puede ser extraída. No intente extraer la batería, dado que podrá dañarse el dispositivo. Para reemplazar la batería, acérquese con el dispositivo al centro de servicios autorizado.
- El dispositivo y los accesorios no están diseñados para ser utilizados por niños. Los niños solo deben usar el dispositivo con la supervisión de un adulto.

Información sobre desecho de residuos y reciclaje



Esta imagen (independientemente del grosor de sus líneas) en el dispositivo, las baterías (si están incluidas) y/o el embalaje indica que el dispositivo, sus accesorios eléctricos (como los auriculares, el adaptador o el cable) y las baterías no deben desecharse como residuos comunes. Estos elementos no deben desecharse como residuos municipales no clasificados y deben llevarse a un punto de recolección certificado para ser reciclados o eliminados adecuadamente.

Para obtener más información sobre el reciclaje del dispositivo o de la batería, comuníquese con la oficina local, el servicio de eliminación de residuos o con el distribuidor.

El desecho de este dispositivo y de sus baterías (si están incluidas) se encuentra sujeto a la refundición de la directiva sobre WEEE (Directiva 2012/19/EU) y la Directiva sobre baterías (Directiva 2006/66/EC). El objetivo de separar los desechos de tipo WEEE y las baterías respecto de otros tipos de desechos es minimizar el posible impacto ambiental y los peligros para la salud provocados por la presencia de sustancias peligrosas que dichos residuos pueden contener.

Reducción de sustancias peligrosas

Este dispositivo cumple con el reglamento sobre REACH [Reglamento (CE) N.º 1907/2006] y la refundición de la directiva sobre RoHS (Directiva 2011/65/EU). Las baterías, de haberlas, cumplen con la Directiva sobre

baterías (Directiva 2006/66/EC). Para obtener información actualizada sobre el cumplimiento con las directivas sobre REACH y RoHS, visite el sitio web <http://consumer.huawei.com/certification>.

Cumplimiento de las normas de la Unión Europea

Utilización del teléfono cerca del cuerpo

El dispositivo cumple con las especificaciones de RF siempre que se use cerca del oído o a una distancia de 1,5 cm del cuerpo. Asegúrese de que los accesorios del dispositivo, tales como el estuche o la funda, no estén hechos de metal. Mantenga el dispositivo alejado del cuerpo para cumplir con el requerimiento anterior relacionado con la distancia.

Información de certificación (SAR)

Este dispositivo cumple con las directrices relacionadas con la exposición a ondas de radio.

El dispositivo es un radiotransmisor y receptor de baja potencia. Está diseñado para no superar los límites relativos a la exposición a ondas de radio de acuerdo con las recomendaciones establecidas por directrices internacionales. Estas directrices fueron establecidas por la Comisión Internacional de Protección contra la Radiación No Ionizante (ICNIRP), que es una organización científica independiente, e incluyen medidas de seguridad diseñadas para garantizar la protección de las personas, independientemente de su edad o estado de salud.

La Tasa de Absorción Específica (SAR) es la unidad que se utiliza para medir la cantidad de energía de radiofrecuencia absorbida por el cuerpo cuando se utiliza

un dispositivo. El valor SAR se determina al nivel certificado más alto de potencia en condiciones de laboratorio, pero el nivel SAR real del dispositivo en funcionamiento puede estar muy por debajo del valor. Esto se debe a que el dispositivo está diseñado para utilizar la potencia mínima requerida para conectarse a la red.

El límite SAR adoptado por Europa es 2,0 W/kg en promedio cada 10 gramos de tejido, y el valor SAR más alto de este dispositivo cumple con este límite.

El valor SAR más alto reportado para este tipo de dispositivo cuando se lo puso a prueba para el uso sobre el oído es de 0,284 W/kg, y de 0,464 W/kg cuando se utiliza de manera adecuada sobre el cuerpo.

Declaración

A través del presente documento, Huawei Technologies Co., Ltd. declara que este dispositivo cumple con los requerimientos esenciales y demás disposiciones pertinentes de la Directiva 1999/5/EC.

La declaración de cumplimiento se puede consultar en <http://consumer.huawei.com/certification>.

El producto incluye la siguiente marca:

CE 0197 

Este dispositivo puede ser utilizado en todos los estados miembro de la UE.

Cumpla con las reglamentaciones nacionales y locales del lugar donde se utilice el dispositivo.

El uso de este dispositivo puede estar restringido dependiendo de la red local.

Restricciones de la banda de 2.4 GHz

Noruega: Este inciso no es aplicable a las áreas geográficas ubicadas dentro de un radio de 20 kilómetros del centro de Ny-Ålesund.

Restricciones de la banda de 5 GHz

La función WLAN de este dispositivo se restringe a su uso exclusivo en interiores en el rango de frecuencias de 5150 a 5350 MHz.

Seguridad de datos e información personal

La utilización de algunas funciones o aplicaciones de terceros disponibles en el dispositivo puede ocasionar la pérdida de datos o información personal, o permitir a terceros acceder a dichos datos o información. Se recomienda la adopción de distintas medidas para proteger la información confidencial y personal.

- Coloque el dispositivo en un lugar seguro para evitar su uso no autorizado.
- Configure el bloqueo de la pantalla y cree una contraseña o patrón de desbloqueo para desbloquearla.
- En forma periódica, realice un backup de la información personal almacenada en la tarjeta SIM/ UIM, la tarjeta de memoria o la memoria del dispositivo. Si cambia de dispositivo, asegúrese de

transferir o eliminar toda la información personal del dispositivo anterior.

- Ante la duda de la existencia de virus en correos electrónicos o mensajes enviados por un desconocido, elimínelos sin abrirlos.
- Si usa el dispositivo para navegar por Internet, evite acceder a sitios web que puedan resultar inseguros para evitar el robo de información personal.
- Si utiliza servicios como Wi-Fi tether o Bluetooth, configure las contraseñas de estos servicios para evitar el acceso no autorizado a éstos. Cuando dichos servicios no se utilicen, desactívelos.
- Instale o actualice el software de seguridad de los dispositivos y realice análisis regulares para detectar la existencia de virus.
- Asegúrese de obtener aplicaciones de terceros de fuentes legítimas. Analice las aplicaciones de terceros que se hayan descargado con el fin de detectar la existencia de virus.
- Instale parches o software de seguridad desarrollados por Huawei u otros proveedores de aplicaciones.
- Algunas aplicaciones requieren y transmiten información de ubicación. Por lo tanto, terceros pueden compartir su información de localización.
- El dispositivo puede proveer información de diagnóstico y detección a otros proveedores de aplicaciones. Otros proveedores pueden utilizar esta información para mejorar sus productos y servicios.

Aviso legal

**Copyright © Huawei Technologies Co., Ltd.
2015. Todos los derechos reservados.**

EL PRESENTE DOCUMENTO TIENE COMO ÚNICA FINALIDAD LA DE PROVEER INFORMACIÓN Y NO CONSTITUYE GARANTÍA DE NINGÚN TIPO.

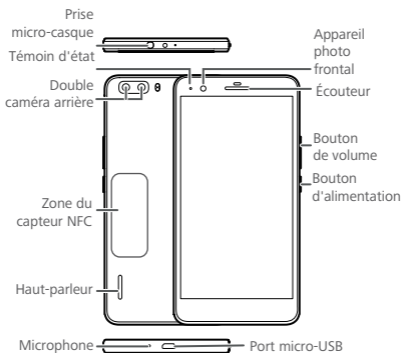
Política de privacidad

Para comprender cómo protegemos su información personal, consulte la política de privacidad en <http://consumer.huawei.com/privacy-policy>.

Votre téléphone en un clin d'œil

Commençons par une vue générale de votre téléphone. Maintenez le bouton d'alimentation appuyé pour allumer ou éteindre votre téléphone.

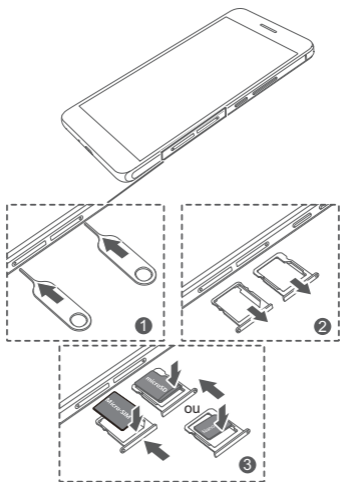
- i** Pour un rallumage forcé, maintenez le bouton d'alimentation appuyé jusqu'à la vibration de votre téléphone.



Commencer

Suivez les instructions des illustrations suivantes pour installer votre téléphone. Eteindre votre téléphone avant d'insérer ou de retirer une carte SIM.

- ⊘ Veuillez faire attention lors de l'utilisation d'une épingle à éjection de SIM afin d'éviter de vous faire mal aux doigts ou d'endommager votre téléphone. Rangez votre cette épingle dans un endroit sécurisé inaccessible aux enfants afin de prévenir les risques d'avalement ou de blessures accidentelles.
- ⚠ Insérez la carte SIM dans l'emplacement exact pour assurer sa reconnaissance par votre téléphone.



Informations relatives à la sécurité

Cette section contient des informations importantes relatives à l'utilisation de votre appareil. Elle contient également des informations sur la manière d'utiliser votre appareil en toute sécurité. Veuillez lire attentivement ces informations avant d'utiliser votre appareil.

Interférences avec des équipements médicaux

- Suivez les règles et réglementations établies par les hôpitaux et les centres de santé. N'utilisez pas votre appareil dans un endroit où cela est interdit.
- Certains appareils sans fil peuvent affecter les performances des appareils auditifs ou des stimulateurs cardiaques. Consultez votre fournisseur de services pour de plus amples informations.
- Les fabricants de stimulateurs cardiaques recommandent de laisser un écart minimum de 15 cm entre un appareil et un stimulateur cardiaque afin d'empêcher des interférences potentielles avec le stimulateur. Si vous utilisez un stimulateur cardiaque, tenez l'appareil du côté opposé au stimulateur cardiaque et ne portez pas l'appareil dans votre poche avant.

Environnement d'exploitation



- Pour prévenir tout risque de lésions auditives, évitez d'écouter à volume élevé pendant de longues périodes.

- Les températures d'utilisation idéales sont entre 0°C et 35°C. Les températures de stockage idéales sont entre -20°C et 70°C. Des températures extrêmement froides ou chaudes peuvent endommager votre appareil ou les accessoires.
- Conservez l'appareil à l'écart des sources de chaleur et de flammes, telles qu'un radiateur, un four à micro-ondes, une cuisinière, une bouilloire ou une bougie.
- L'utilisation d'un adaptateur d'alimentation, d'un chargeur ou d'une batterie non approuvé(e) ou incompatible peut entraîner un incendie, une explosion ou d'autres dangers.
- Pour les appareils enfichables, la prise de courant doit être installée près des appareils et être facile d'accès.
- Tenez la batterie à distance des sources de chaleur excessive et des rayons directs du soleil. Ne la placez pas sur ou dans des appareils de chauffage, tels que des fours à micro-ondes, des cuisinières ou des radiateurs. Les batteries pourraient exploser en cas de surchauffe.
- Ne jetez pas les batteries au feu, car elles pourraient exploser. Des batteries endommagées risquent également d'exploser.
- Mettez au rebut les batteries usagées conformément aux réglementations locales en vigueur. Une mauvaise utilisation de la batterie pourrait entraîner un incendie, une explosion ou d'autres dangers.
- L'appareil dispose d'une batterie intégrée non amovible. N'essayez pas de retirer la batterie, car cela pourrait endommager l'appareil. Faites

remplacer la batterie dans un centre de réparation agréé.

- L'appareil et ses accessoires ne sont pas conçus pour être utilisés par des enfants. Les enfants ne doivent utiliser l'appareil que sous la surveillance d'un adulte.

Informations relatives à la mise au rebut et au recyclage



Ce symbole (avec ou sans barre) présent sur l'appareil, les batteries (le cas échéant) et/ou sur l'emballage, indique que l'appareil et ses accessoires électriques (p. ex. des écouteurs, un adaptateur ou un câble) ainsi que les

batteries ne doivent pas être mis au rebut avec les déchets ménagers. Ces éléments ne doivent pas être mis au rebut comme déchets municipaux non triés et doivent être rapportés dans un point de collecte agréé pour être recyclés ou mis au rebut de manière appropriée.

Pour de plus amples informations concernant le recyclage de l'appareil ou de la batterie, contactez votre mairie, votre service de mise au rebut des déchets ménagers ou votre détaillant.

La mise au rebut de l'appareil et des batteries (le cas échéant) est soumise à la directive sur les WEEE remaniée (directive 2012/19/UE) et à la directive sur les batteries (directive 2006/66/CE). La séparation des WEEE et des batteries des autres déchets vise à réduire l'impact potentiel sur l'environnement et la santé humaine des substances dangereuses qui peuvent être présentes.

Réduction des substances dangereuses

Cet appareil est conforme à la réglementation REACH [Règlementation (CE) n° 1907/2006] et à la directive RoHS remaniée (directive 2011/65/UE). Les batteries (le cas échéant) sont conformes à la directive sur les batteries (directive 2006/66/CE). Pour obtenir des informations récentes concernant la conformité REACH et RoHS, veuillez consulter le site Web <http://consumer.huawei.com/certification>.

Conformité réglementaire UE

Utilisation près du corps

L'appareil est conforme aux spécifications RF s'il est utilisé à l'oreille ou à une distance de 1,5 cm de votre corps. Assurez-vous que les accessoires de l'appareil, tels que le boîtier ou l'étui, ne sont pas composés d'éléments métalliques. Conservez l'appareil à distance de votre corps afin de respecter les exigences en matière de distance.

Informations de certification (DAS)

Cet appareil est conforme aux directives concernant l'exposition aux ondes radio.

Votre appareil est un émetteur/récepteur radio de faible puissance. Comme les directives internationales le recommandent, l'appareil est conçu pour ne pas dépasser les limites d'exposition aux ondes radio. Ces directives, élaborées par la commission internationale de protection contre les radiations non ionisantes (ICNIRP), une organisation scientifique indépendante, comprennent des mesures de sécurité destinées à protéger tous les utilisateurs, quels que soient leur âge et leur état de santé.

Le DAS (débit d'absorption spécifique) est l'unité de mesure de la quantité d'énergie radiofréquence absorbée par le corps humain lors de l'utilisation d'un appareil. La valeur DAS correspond au niveau maximal d'émissions agréé testé en laboratoire, mais le niveau DAS réel en cours de fonctionnement peut être bien inférieur. L'appareil est en effet conçu pour utiliser le minimum de puissance requise pour atteindre le réseau. La limite DAS adoptée par l'Europe est de 2,0 W/kg sur 10 grammes de tissu et la valeur DAS la plus élevée pour cet appareil est conforme à cette limite.

La valeur DAS la plus élevée signalée pour ce type d'appareil lorsque ceux-ci sont testés en utilisation à l'oreille est de 0,284 W/kg, et de 0,464 W/kg lorsque ceux-ci sont portés correctement en contact avec le corps.

Déclaration

Par la présente, Huawei Technologies Co., Ltd. déclare que cet appareil est conforme aux exigences fondamentales et aux autres dispositions pertinentes de la directive 1999/5/CE.

Consultez la déclaration de conformité sur le site Web <http://consumer.huawei.com/certification>.

Le marquage suivant est présent sur le produit :

CE 0197 

Cet appareil peut être utilisé dans tous les pays membres de l'UE.

Respectez les réglementations locales et nationales en vigueur lors de l'utilisation de l'appareil.

L'utilisation de cet appareil peut être restreinte en fonction du réseau local.

Restrictions au niveau de la bande 2,4 GHz :

Norvège : Ce sous-chapitre ne s'applique pas à la zone géographique de 20 km de rayon autour du centre de Ny-Ålesund.

Restrictions au niveau de la bande 5 GHz :

Le fonctionnement WLAN de cet appareil est restreint à une utilisation en intérieur uniquement lors d'une utilisation dans une gamme de fréquence située entre 5 150 et 5 350 MHz.

Mention légale

**Copyright © Huawei Technologies Co., Ltd.
2015. Tous droits réservés.**

CE DOCUMENT EST FOURNI À TITRE INFORMATIF
UNIQUEMENT. IL NE CONSTITUE EN AUCUN CAS UNE
FORME DE GARANTIE.

Politique de confidentialité

Pour une meilleure compréhension de la protection des informations personnelles, référez-vous à la politique de confidentialité à l'adresse

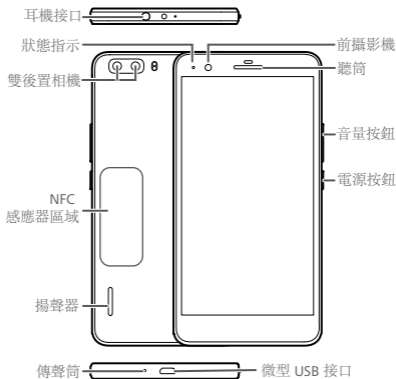
<http://consumer.huawei.com/privacy-policy>.

手機概覽

開始使用前，讓我們先看一看您的新手機。

長按電源鍵以開啟或關閉您的手機。

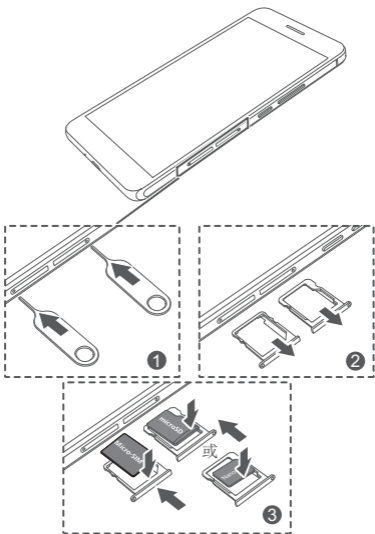
- i** 若要強行重新啟動您的手機，長按電源鍵直至您的手機震動。



開始使用

請遵循下圖指示以設定您的手機。請勿在手機開啟時插入或移除 SIM 卡。

- ⊘ 請小心謹慎使用 SIM 卡頂針以避免損傷您的手指或損壞您的手機。請存放頂針於兒童無法觸及的安全位置以避免他們意外吞下頂針或受傷。
- ⚠ 請將 SIM 卡插入正確的卡槽以確保手機能夠識別它。



安全資訊

本部分包含關於裝置的重要資訊。亦包括如何安全使用裝置的資訊。使用裝置前請仔細閱讀此資訊。

醫療設備的干擾

- 請遵循由醫院及健康護理中心訂立的規則。請勿在禁止使用裝置的地方使用裝置。
- 某些無線裝置可能影響助聽器或起搏器的效能。向您的服務供應商查詢更多資訊。
- 起搏器製造商建議在手機與起搏器之間保持最少 15 公分的距離，以免對起搏器產生干擾。如您使用起搏器，請於起搏器的反側使用手機，並切勿將手機置於胸前口袋內。

操作環境



- 要防止有可能的聽覺受損，請勿長時間收聽高度音量。
- 理想操作溫度為 0°C 到 35°C。理想保存溫度為 -20°C 到 70°C。極度過熱或過冷可能會損毀您的裝置或配件。
- 將裝置遠離熱源和火，例如加熱器、微波爐、爐灶、熱水器、電暖器、或蠟燭。
- 使用未批准或不相容的電源轉接器、充電器或電池可引致起火、爆炸或其他危險。
- 有關可插式裝置，插座應設置於靠近裝置且方便觸及。
- 將電池遠離過熱物體和陽光直射的環境下。請勿將它放在加熱裝置上或其中，例如微波爐、爐灶、或電暖器。電池可能在過熱情況下爆炸。

- 請勿將電池投入火中，這可能會爆炸。損毀電池也可能爆炸。
- 請按照本地規則棄置使用過的電池。不正確使用電池可能會導致起火、爆炸、或其他危險。
- 裝置有內建固定電池。請勿嘗試拆除電池，否則裝置可能會損毀。若要更換電池，請帶同裝置到授權服務中心。
- 裝置及其配件不是供小童使用。小童只可在成人監管下使用裝置。

棄置及回收資訊



在裝置、電池（如隨附），及 / 或包裝上的此符號（有或無粗列），表示裝置及其電子配件（例如，耳機、轉接器、或電線）和電池不應與家用垃圾一同棄置。這些物件不應以未分類的城市廢棄物方式棄置，它們應帶到認可的收集點以供回收或正確棄置。

如欲更多關於裝置或電池回收的詳情，請聯絡當地城市辦公室，家居廢物棄置服務，或零售商。

棄置裝置及電池（如隨附）是受 WEEE 指令修訂版（2012/19/EU 指令）和電池指令（2006/66/EC 指令）規定。為避免環境和人類健康因任何危害物質而受到傷害，請將 WEEE 和電池與其他廢棄物分開處理，其目的是將傷害減至最低。

減少有害物質

本裝置是符合 REACH 規範 [規範 (EC) No. 1907/2006] 及 RoHS 指令修訂版（2011/65/EU 指令）。電池（如附有）符合（指令 2006/66/EC）電池指令。如要參考關於 REACH 及 RoHS 合規的最新資訊，請瀏覽網站 <http://consumer.huawei.com/certification>。

符合歐盟規範

身體攜帶操作

當裝置在耳邊使用或與身體保持距離 1.5 公分，才符合 RF 規格。請確保裝置配件、例如裝置箱及裝置皮套，無包含金屬元件。保持身體遠離裝置以符合距離需求。

憑證資訊 (SAR)

本裝置符合無線電波暴露準則的規定。

本裝置為低功率無線電話筒與接收器。按照國際指引建議，本裝置的設計未超出無線電波暴露限制。這些指引是由國際非電離輻射保護委員 (ICNIRP) 制訂，一間獨立科學機構，並包括安全措施以確保所有使用者的安全，不論他們的年齡及健康程度。

特定吸收率 (SAR) 是一種單位，用於測量人體使用裝置時吸收多少的射頻能量。SAR 值是在實驗室以裝置最大發射功率為條件的情況下測定的，真實使用環境下的裝置 SAR 值可能遠低於這個值。這是因為裝置設計為使用最小所需功率來連接網絡。

由歐洲採用的 SAR 限制為 2.0 W/kg，組織平均超過十克，並且此裝置的最高 SAR 值符合此限制。

本裝置類型匯報在耳邊測試時的最高 SAR 值為 0.284 W/kg，和正確戴在身上測試時為 0.464 W/kg。

聲明

Huawei Technologies Co., Ltd 特此聲明，本裝置符合 1999/5/EC 指令中的主要要求和其他相關規定。

如欲符合性聲明資料，請瀏覽網站

<http://consumer.huawei.com/certification>。

產品內包含以下標示：

CE 0197

本裝置可在歐盟的所有成員國操作。

遵守使用裝置的國際及當地法則。

裝置可能會根據當地網絡被限制使用。

2.4 GHz 頻段限制：

挪威：此分款不適用於距離新奧爾松中心半徑小於 20 公里的地理區域。

5 GHz 頻段限制：

本裝置在 5150 到 5350 MHz 頻率範圍內操作，其 WLAN 功能只可於室內使用。

法律通知

版權所有 © 華為技術有限公司 2015。保留一切權利。

本文件用途只提供資訊，並不構成任何形式的保證。

私隱政策

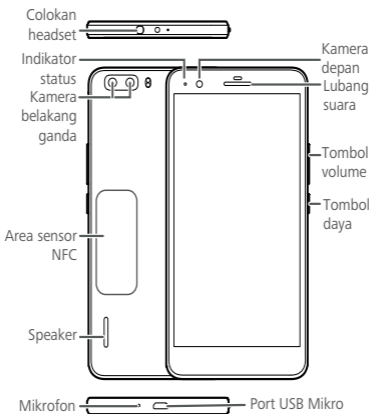
如要深入了解我們如何保障您的個人資料，請前往 <http://consumer.huawei.com/privacy-policy> 參考私隱政策。

Sekilas tentang ponsel Anda

Sebelum Anda memulai, mari kita lihat ponsel baru Anda.

Tekan terus tombol daya untuk menghidupkan atau mematikan ponsel.

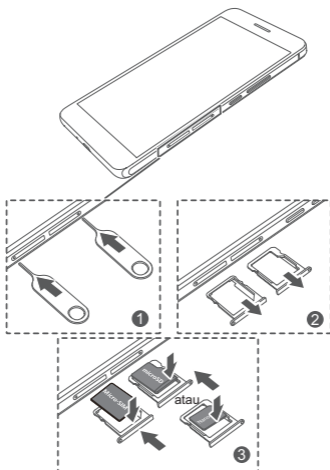
- i** Untuk memulai ulang paksa ponsel Anda, tekan terus tombol daya sampai ponsel bergetar.



Cara memulai

Ikuti petunjuk di dalam gambar berikut ini untuk menyiapkan ponsel Anda. Jangan masukkan atau mengeluarkan kartu SIM saat ponsel Anda dihidupkan.

- ⊘ Harap berhati-hati saat menggunakan penusuk pelontar SIM untuk menghindari melukai jari Anda atau merusak ponsel. Simpan penusuk tersebut di tempat aman jauh dari jangkauan anak-anak untuk mencegah mereka menelannya atau melukai diri mereka sendiri dengan tidak sengaja.
- ⚠ Masukkan kartu SIM ke dalam slot kartu yang benar untuk memastikan bahwa kartu tersebut dapat dikenali ponsel.



Informasi keselamatan

Bagian ini memuat informasi penting tentang penggunaan perangkat ini. Bagian ini juga berisi informasi tentang cara menggunakan perangkat dengan aman. Bacalah informasi ini dengan saksama sebelum menggunakan perangkat Anda.

Gangguan dengan peralatan medis

- Patuhi peraturan yang ditetapkan oleh rumah sakit dan fasilitas layanan kesehatan. Jangan gunakan perangkat bila ada larangan.
- Beberapa perangkat nirkabel dapat merusak kinerja alat bantu dengar atau alat pacu jantung. Untuk informasi lebih lanjut, hubungi penyedia layanan.
- Produsen alat pacu jantung menganjurkan agar ada jarak minimal 15 cm antara peranti dengan alat pacu jantung, untuk mencegah potensi gangguan terhadap alat pacu jantung. Jika Anda menggunakan alat pacu jantung, genggamlah perangkat di sisi yang berlawanan dengan alat pacu jantung tersebut, dan jangan taruh perangkat di saku depan.

Lingkungan pengoperasian



- Untuk mencegah kerusakan pendengaran, jangan dengarkan dalam volume tinggi untuk waktu lama.
- Suhu pengoperasian yang ideal adalah 0 °C hingga 35 °C. Suhu penyimpanan yang ideal adalah -20 °C hingga 70 °C. Hawa panas atau dingin ekstrem dapat merusak perangkat atau aksesori.

- Jauhkan perangkat dari sumber panas dan sumber api, misalnya pemanas, oven microwave, kompor, pemanas air, radiator, atau lilin.
- Penggunaan adaptor daya, pengisi daya atau baterai yang tidak disetujui atau tidak kompatibel dapat menyebabkan risiko kebakaran, ledakan atau bahaya lainnya.
- Untuk perangkat yang dapat dicolokkan, stop kontak harus dipasang di dekat perangkat dan harus mudah dijangkau.
- Jauhkan baterai dari panas yang berlebihan dan sinar matahari langsung. Jangan letakkan di dalam atau di atas alat pemanas, seperti oven microwave, kompor, atau radiator. Baterai dapat meledak jika panas berlebihan.
- Jangan buang baterai ke sumber api, karena dapat meledak. Baterai yang rusak juga dapat meledak.
- Buang baterai bekas sesuai dengan peraturan setempat. Kesalahan dalam menggunakan baterai dapat mengakibatkan kebakaran, ledakan, atau bahaya lainnya.
- Perangkat ini dilengkapi baterai internal yang tidak dapat dilepas. Jangan coba melepas baterai tersebut, karena dapat merusak perangkat. Untuk mengganti baterai, bawa perangkat ke pusat layanan resmi.
- Perangkat dan aksesorinya tidak untuk digunakan oleh anak-anak. Penggunaan perangkat oleh anak-anak hanya diizinkan bila di bawah pengawasan orang dewasa.

Informasi tentang pembuangan dan daur ulang



Simbol ini (atau tanpa garis yang berisi) pada perangkat ini, baterai (jika disertakan), dan/atau kemasannya, menunjukkan bahwa perangkat ini termasuk aksesoris elektriknya (seperti headset, adaptor, atau kabel) serta baterainya tidak boleh dibuang sebagai sampah rumah tangga biasa. Semua item tersebut tidak boleh dibuang sebagai sampah kota yang tidak disortir dan harus diberikan ke tempat pengumpulan yang terjamin untuk daur ulang atau pembuangan yang tepat. Untuk informasi selengkapnya tentang daur ulang perangkat atau baterai, hubungi kantor setempat di kota Anda, layanan pembuangan sampah rumah tangga, atau toko penjual.

Pembuangan perangkat beserta baterainya (jika disertakan) harus mengikuti Perubahan Petunjuk WEEE (Petunjuk 2012/19/EU) dan Petunjuk Baterai (Petunjuk 2006/66/EC). Tujuan pemisahan WEEE dan baterai dari sampah lainnya adalah untuk meminimalkan potensi dampak lingkungan dan risiko kesehatan manusia yang mungkin terjadi dari setiap zat kimia berbahaya.

Pengurangan zat kimia berbahaya

Perangkat ini telah mematuhi persyaratan Regulasi REACH [Regulasi (EC) No 1907/2006] dan Perubahan Petunjuk RoHS (Petunjuk 2011/65/EU). Baterai (bila disertakan) sudah mematuhi Petunjuk Baterai (Petunjuk 2006/66/EC). Untuk informasi terbaru tentang kepatuhan REACH dan RoHS, kunjungi situs web <http://consumer.huawei.com/certification>.

Kepatuhan terhadap peraturan Uni Eropa

Pengoperasian saat dikenakan pada tubuh

Perangkat mematuhi spesifikasi RF jika digunakan di dekat telinga Anda atau dengan jarak 1,5 cm dari tubuh Anda. Pastikan aksesori perangkat seperti casing atau sarung telepon tidak terbuat dari komponen logam. Jaga jarak perangkat dari badan Anda untuk memenuhi persyaratan jarak.

Informasi sertifikasi (SAR)

Perangkat ini memenuhi panduan paparan terhadap gelombang radio.

Perangkat Anda adalah pemancar dan penerima radio berdaya rendah. Sesuai rekomendasi panduan internasional, perangkat ini dirancang untuk tidak melebihi batas paparan terhadap gelombang radio. Panduan ini dibuat oleh International Commission on Non-Ionizing Radiation Protection (ICNIRP), sebuah organisasi ilmiah yang independen, dan telah mencakup tindakan keselamatan yang dirancang untuk memastikan keselamatan semua pengguna, terlepas dari berapa pun usia dan bagaimana pun tingkat kesehatannya.

Angka Penyerapan Spesifik (Specific Absorption Rate (SAR)) merupakan unit pengukuran untuk jumlah energi frekuensi radio yang diserap oleh tubuh saat menggunakan perangkat. Nilai SAR ditentukan pada level daya sertifikasi tertinggi pada kondisi laboratorium, namun level SAR aktual saat dioperasikan dapat berada di bawah nilai tersebut. Ini karena perangkat ini dirancang untuk menggunakan tenaga minimal yang dibutuhkan untuk mencapai jaringan.

Batas SAR yang diadopsi oleh Eropa adalah rata-rata 2,0 W/kg untuk 10 gram jaringan, dan nilai SAR tertinggi untuk perangkat ini sesuai dengan batas ini.

Nilai SAR tertinggi yang dilaporkan untuk tipe perangkat ini ketika dipes di telinga adalah 0,284 W/kg, dan ketika dikenakan di tubuh adalah 0,464 W/kg.

Pernyataan

Dengan ini, Huawei Technologies Co., Ltd. menyatakan bahwa perangkat ini telah mematuhi persyaratan penting dan ketentuan relevan lainnya dari Petunjuk Nomor 1999/5/EC.

Untuk pernyataan kesesuaian, kunjungi situs web <http://consumer.huawei.com/certification>.

Simbol berikut ini disertakan dalam produk:

CE 0197 

Perangkat ini mungkin dioperasikan di semua negara anggota Uni Eropa (EU).

Patuhi peraturan nasional dan lokal di mana perangkat ini digunakan.

Penggunaan perangkat ini mungkin terbatas, tergantung pada jaringan lokal.

Pembatasan dalam 2,4 GHz band:

Norwegia: Sub-bagian ini tidak berlaku bagi wilayah geografis dalam radius 20 km dari pusat Ny-Ålesund.

Pembatasan dalam 5 GHz band:

Fungsi WLAN perangkat ini terbatas untuk penggunaan di dalam ruangan hanya ketika beroperasi pada kisaran frekuensi 5150 hingga 5350 MHz.

Pemberitahuan Hukum

**Hak Cipta © Huawei Technologies Co., Ltd.
2015. Hak cipta dilindungi undang-undang.**

DOKUMEN INI HANYA UNTUK TUJUAN INFORMASI SEMATA, DAN TIDAK MEMBERIKAN JAMINAN DALAM BENTUK APA PUN.

Kebijakan Privasi

Untuk lebih memahami bagaimana kami melindungi informasi pribadi Anda, silakan lihat kebijakan privasi di <http://consumer.huawei.com/privacy-policy>.

Telefon anda sekilas pandang

Sebelum mulakan, mari lihat telefon baru anda.

Tekan dan tahan butang kuasa untuk menghidupkan atau mematikan telefon.

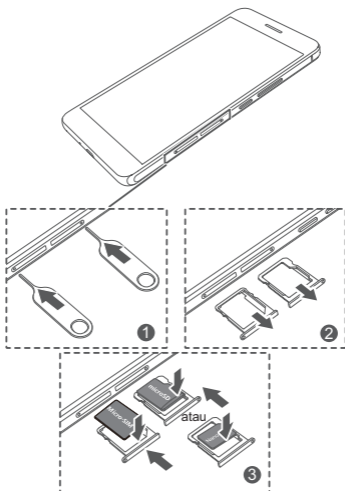
- i** Untuk memaksa telefon anda untuk mula semula, tekan dan tahan butang kuasa sehingga telefon anda bergetar.



Bermula

Ikut arahan dalam gambarajah berikut untuk melengkapkan persediaan telefon. Jangan sisip atau alih keluaran kad SIM semasa telefon anda dihidupkan.

- ⊘ Sila berhati-hati semasa menggunakan pin keluaran SIM bagi mengelak kecederaan pada jari atau kerosakan pada telefon anda. Simpan pin anda di tempat yang selamat dari capaian kanak-kanak bagi mengelakkan mereka dari menelannya atau mencederakan diri mereka secara tidak sengaja.
- ⚠ Sisipkan kad SIM ke slot kad yang betul bagi memastikan ia boleh dikenalpasti oleh telefon.



Maklumat keselamatan

Bahagian ini mengandungi maklumat penting mengenai operasi peranti anda. Ia juga mengandungi maklumat mengenai bagaimana untuk menggunakan peranti dengan selamat. Baca maklumat ini dengan teliti sebelum menggunakan peranti anda.

Gangguan dengan peralatan perubatan

- Ikuti peraturan dan undang-undang yang ditetapkan oleh hospital dan kemudahan penjagaan kesihatan. Jangan gunakan peranti anda apabila dilarang.
- Sesetengah peranti wayarles boleh menjejaskan prestasi alat bantuan pendengaran atau perentak jantung. Rujuk penyedia perkhidmatan anda untuk maklumat lanjut.
- Pengeluar perentak jantung mengesyorkan jarak minimum sebanyak 15 cm boleh dikekalkan di antara peranti dan perentak jantung untuk mengelakkan kemungkinan gangguan dengan perentak jantung. Jika anda menggunakan perentak jantung, pegang peranti pada bahagian yang bertentangan dengan perentak jantung dan jangan bawa peranti di poket depan anda.

Persekitaran pengendalian



- Untuk mengelakkan kemungkinan kerosakan pendengaran, jangan dengar pada paras kelantangan tinggi dalam tempoh masa yang lama.
- Suhu operasi yang paling sesuai ialah 0 °C sehingga 35 °C. Suhu penyimpanan yang paling sesuai ialah -20 °C sehingga 70 °C. Keparasan atau kesejukan

melampau boleh merosakkan peranti atau aksesori anda.

- Pastikan peranti jauh dari sumber haba dan api, seperti pemanas, ketuhar gelombang mikro, dapur, pemanas air, radiator atau lilin.
- Menggunakan penyesuai kuasa, pengecas atau bateri yang tidak diluluskan atau tidak serasi boleh menyebabkan kebakaran, letupan atau bahaya lain.
- Untuk peranti yang boleh dipalam, salur keluar soket perlu dipasang berhampiran peranti dan boleh diakses dengan mudah.
- Pastikan bateri jauh dari kepanasan berlebihan dan cahaya matahari terus. Jangan letakkannya pada atau dalam peranti pemanasan, seperti ketuhar gelombang mikro, alat pemanas atau radiator. Bateri boleh meletup jika terlampau panas.
- Jangan buang bateri ke dalam api kerana ia mungkin meletup. Bateri yang telah rosak juga boleh meletup.
- Buang bateri yang digunakan mengikut peraturan tempatan. Penggunaan bateri dengan salah boleh menyebabkan kebakaran, letupan atau bahaya lain.
- Peranti mempunyai bateri terbina dalam yang tidak boleh dicabut. Jangan cuba cabut bateri, jika tidak, peranti mungkin rosak. Untuk menggantikan bateri, bawa peranti ke pusat perkhidmatan yang dibenarkan.
- Peranti dan aksesori bukan bertujuan untuk kegunaan kanak-kanak. Kanak-kanak hanya boleh menggunakan peranti dengan penyeliaan orang dewasa.

Maklumat pelupusan dan kitar semula



Simbol ini (dengan atau tanpa bar padu) pada peranti, bateri (jika disertakan), dan/atau bungkusan, menunjukkan bahawa peranti dan aksesori elektriknya (contohnya, alat dengar, penyesuai atau kabel) dan bateri tidak boleh

didedahkan sebagai sampah rumah. Item ini perlu dilupuskan sebagai sisa perbandaran dan perlu dibawa ke pusat pengumpulan yang diperakui untuk dikitar semula atau pelupusan yang betul.

Untuk maklumat lanjut mengenai kitar semula peranti atau bateri, hubungi pejabat bandar tempatan anda, perkhidmatan pelupusan sisa rumah atau kedai runcit. Pelupusan peranti dan bateri (jika dimasukkan) adalah tertakluk kepada Arahan Penyusunan Semula WEEE (Arahan 2012/19/EU) dan Arahan Bateri (Arahan 2006/66/EC). Tujuan untuk mengasingkan WEEE dan bateri daripada sisa lain adalah untuk meminimumkan potensi kesan alam sekitar pada kesihatan manusia daripada bahan bahaya yang mungkin wujud.

Pengurangan Bahan yang Berbahaya

Peranti ini mematuhi Peraturan REACH [Peraturan (EC) No 1907/2006] dan Penyusunan Semula RoHS (Arahan 2011/65/EU). Bateri (yang dimasukkan) mematuhi dengan Arahan Bateri (Arahan 2006/66/EC). Untuk maklumat terkini mengenai pematuhan REACH dan RoHS, sila lawati laman web

<http://consumer.huawei.com/certification>.

Pematuhan perundangan EU

Pengendalian dipakai pada badan

Peranti mematuhi spesifikasi RF apabila digunakan berdekatan telinga anda atau pada jarak 1.5 cm dari badan anda. Pastikan aksesori peranti seperti bekas peranti dan pemegang peranti tidak mempunyai komponen logam. Pastikan peranti jauh dari badan anda untuk memenuhi keperluan jarak.

Maklumat Pensijilan (SAR)

Peranti ini memenuhi garis panduan pendedahan kepada gelombang radio.

Peranti anda adalah pemancar dan penerima radio berkuasa rendah. Seperti yang disyorkan oleh garis panduan antarabangsa, peranti ini direka untuk tidak melebihi had pendedahan kepada gelombang radio. Garis panduan ini dibangunkan oleh Suruhanjaya Perlindungan Sinaran Bukan Pengion (ICNIRP), organisasi saintifik bebas dan termasuk langkah keselamatan yang direka untuk memastikan keselamatan untuk semua pengguna, tanpa mengira umur dan kesihatan.

Kadar Penyerapan Khusus (SAR) adalah unit yang mengukur jumlah tenaga frekuensi radio yang diserap oleh badan semasa menggunakan peranti. Nilai SAR ditentukan pada aras kuasa tertinggi yang disahkan dalam keadaan makmal, tetapi tahap SAR yang sebenar apabila digunakan boleh berada di bawah nilai. Ini disebabkan oleh peranti direka untuk menggunakan kuasa minimum yang diperlukan untuk mencapai rangkaian.

Had SAR yang diguna pakai oleh Eropah ialah 2.0 W/kg dipuratakan pada 10 gram tisu, dan nilai SAR tertinggi untuk peranti ini mematuhi had ini.

Nilai SAR tertinggi dilaporkan untuk jenis peranti ini apabila digunakan pada telinga ialah 0.284 W/kg, dan apabila dipakai dengan betul pada badan ialah 0.464 W/kg.

Kenyataan

Dengan ini, Huawei Technologies Co., Ltd. mengisytiharkan bahawa peranti ini mematuhi keperluan penting dan peruntukan lain Arahan 1999/5/EC yang berkaitan.

Untuk pengisytiharan pematuhan, lawati laman web <http://consumer.huawei.com/certification>.

Penandaan berikut dimasukkan dalam produk:

CE 0197 

Peranti ini boleh dikendalikan di semua negara anggota EU.

Patuhi peraturan negara dan setempat di mana peranti digunakan.

Peranti ini mungkin dihadkan untuk kegunaan, bergantung pada rangkaian tempatan.

Sekatan dalam Jalur 2,4 GHz:

Norway: Subseksyen ini tidak dikenakan untuk kawasan geografi di dalam radius 20 km daripada pusat Ny-Ålesund.

Sekatan dalam Jalur 5 GHz:

Fungsi WLAN peranti ini dihadkan kepada penggunaan dalam rumah sahaja apabila beroperasi dalam julat frekuensi 5150 to 5350 MHz.

Notis Perundangan

Hak Cipta © Huawei Technologies Co., Ltd.

2015. Hak cipta terpelihara

DOKUMEN INI ADALAH UNTUK TUJUAN MAKLUMAT SAHAJA, DAN TIDAK MEMBENTUK APA-APA JENIS WARANTI

Dasar Privasi

Untuk lebih memahami bagaimana kami melindungi maklumat peribadi anda, sila lihat dasar privasi di <http://consumer.huawei.com/privacy-policy>.

Início

Antes de começar, vamos dar uma vista de olhos no seu novo telefone.

Pressione continuamente no botão ligar/desligar para ligar ou encerrar o telefone.

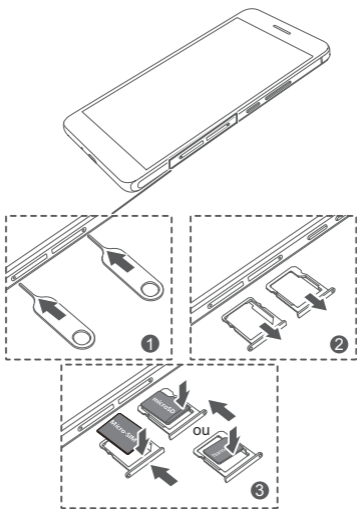
- i** Para forçar o telefone a reiniciar, pressione o botão ligar/desligar até o telefone vibrar.



Iniciação

Siga as instruções nas figuras seguintes para configurar o seu telefone. Não insira ou remova um cartão SIM quando o telefone está ligado.

- ⊘ Tenha cuidado ao utilizar o ejector pin do cartão SIM ejector pin para evitar ferir os dedos ou danificar o telefone. Coloque o pin em um local seguro fora do alcance das crianças para evitar que estas o possam ingerir ou ferindo-se por acidente.
- ⚠ Insira o cartão SIM na entrada correcta para assegurar que é reconhecido pelo telefone.



Informações de segurança

Esta secção contém informações importantes relacionadas com o funcionamento do dispositivo. Contém também informações sobre como utilizar o dispositivo de forma segura. Leia estas informações atentamente antes de utilizar o dispositivo.

Interferência com equipamentos médicos

- Siga as regras e regulamentos estipulados pelos hospitais e instalações de cuidados de saúde. Não utilize o dispositivo quando for proibido.
- Alguns dispositivos sem fios podem afectar o desempenho dos aparelhos auditivos ou pacemakers. Para mais informações, contacte o seu fornecedor de serviços.
- Os fabricantes de pacemakers recomendam que se mantenha uma distância mínima de 15 cm entre um dispositivo e um pacemaker a fim de prevenir uma potencial interferência com o pacemaker. Se utilizar um pacemaker, mantenha o dispositivo no lado oposto ao do pacemaker e não transporte o dispositivo no bolso da frente.

Ambiente de funcionamento



- Para prevenir eventuais danos auditivos, não use o volume em níveis elevados durante longos períodos.
- As temperaturas ideais de funcionamento situam-se entre os 0 °C e os 35 °C. As temperaturas ideais de armazenamento situam-se também entre os -20 °C e

os 70 °C. O calor ou o frio em excesso pode danificar o dispositivo ou os acessórios.

- Mantenha o dispositivo protegido de fontes de calor e de incêndio, como aquecedores, fornos de micro-ondas, fogões, esquentadores, radiadores ou velas.
- A utilização de um transformador de corrente, carregador ou bateria não aprovado ou incompatível pode provocar um incêndio, uma explosão ou outros perigos.
- No caso de dispositivos de ligação à corrente, a tomada eléctrica deverá estar situada perto dos dispositivos e facilmente acessível.
- Mantenha a bateria afastada do calor intenso ou da luz solar directa. Não a coloque em cima ou no interior de dispositivos de aquecimento como micro-ondas, fornos ou radiadores. As baterias podem explodir quando sobreaquecidas.
- Não atire as baterias para o fogo, uma vez que podem explodir. As baterias danificadas também podem explodir.
- Elimine as baterias gastas em conformidade com as regulamentações locais. A utilização inadequada da bateria pode provocar um incêndio, explosão ou outros perigos.
- O dispositivo tem uma bateria não amovível incorporada. Não tente remover a bateria. Caso contrário, o dispositivo pode ficar danificado. Para substituir a bateria, leve o dispositivo a um centro de assistência autorizado.
- O dispositivo e os respectivos acessórios não foram concebidos para serem utilizados por crianças. As

crianças não devem utilizar o dispositivo sem a supervisão de um adulto.

Informações sobre eliminação e reciclagem



Este símbolo (com ou sem uma barra escura) no dispositivo, nas baterias (caso estejam incluídas) e/ou na embalagem indica que o dispositivo e os acessórios eléctricos (por exemplo, os auriculares, transformador ou cabo) e as baterias

não devem ser eliminados como lixo doméstico. Estes itens não devem ser eliminados como resíduos urbanos indiferenciados e devem ser depositados num ponto de recolha certificado para reciclagem ou eliminação adequada.

Para obter informações mais detalhadas sobre a reciclagem do dispositivo ou da bateria, contacte a sua Câmara Municipal, o serviço de eliminação de resíduos domésticos ou o seu revendedor.

A eliminação do dispositivo e das baterias (caso estejam incluídas) está sujeita à Directiva de Resíduos de Equipamentos Eléctricos e Electrónicos (REEE) reformulada (Directiva 2012/19/UE) e à Directiva sobre baterias (Directiva 2006/66/CE). O motivo pelo qual se devem separar os REEE e as pilhas de outros resíduos consiste em minimizar os potenciais impactos ambientais e os riscos para a saúde humana causados por quaisquer substâncias perigosas que possam estar presentes.

Redução de substâncias perigosas

Este dispositivo está em conformidade com o regulamento REACH [Regulamento (CE) n.º 1907/2006] e com a Directiva RSP reformulada (Directiva 2011/65/UE).

As baterias (se incluídas) estão em conformidade com a Directiva sobre baterias (Directiva 2006/66/CE). Para obter informações actualizadas sobre a conformidade REACH e RSP, visite a página Web <http://consumer.huawei.com/certification>.

Conformidade regulamentar da UE

Utilização junto ao corpo

O dispositivo está em conformidade com as especificações de radiofrequência emitidas quando é utilizado junto do ouvido ou a uma distância de 1,5 cm do corpo. Certifique-se de que os acessórios do dispositivo, tais como a caixa e o estojo do mesmo, não contêm componentes de metal. Mantenha o dispositivo afastado do corpo para respeitar a distância exigida.

Informação de certificação (SAR)

Este dispositivo cumpre as directrizes de exposição a ondas de rádio.

O dispositivo é um transmissor e receptor de rádio de baixa potência. Conforme recomendado pelas directrizes internacionais, o dispositivo foi concebido para não exceder os limites de exposição a ondas de rádio. Estas directrizes foram desenvolvidas pela International Commission on Non-Ionizing Radiation Protection (ICNIRP, ou Comissão Internacional para a Protecção contra Radiações Não Ionizantes), uma organização científica independente, e incluem medidas de segurança para todos os utilizadores, independentemente da idade e do estado de saúde.

A taxa de absorção específica (SAR) é a unidade de medida para a quantidade de energia de radiofrequência absorvida pelo corpo durante a utilização de um

dispositivo. O valor de SAR é determinado ao nível mais elevado de potência certificada em condições de laboratório, embora o nível de SAR real em funcionamento possa estar muito abaixo desse valor. Isto deve-se ao facto de o dispositivo ser concebido para utilizar a potência mínima necessária para ligar à rede.

O valor SAR adoptado na Europa é de 2,0 W/kg, calculado com base em 10 gramas de tecido corporal, e o valor de SAR mais elevado deste dispositivo está em conformidade com este limite.

O valor de SAR mais elevado comunicado para este tipo de dispositivo quando testado no ouvido é de 0,284 W/kg e quando utilizado correctamente no corpo é de 0,464 W/kg.

Declaração

A Huawei Technologies Co., Ltd. declara pelo presente que este dispositivo está em conformidade com os requisitos essenciais e outras disposições relevantes da Directiva 1999/5/CE.

Para consultar a declaração de conformidade, visite a página Web <http://consumer.huawei.com/certification>. É utilizada a seguinte marcação incluída no produto:

CE 0197 

Este dispositivo pode ser utilizado em todos os Estados-Membros da UE.

Cumpra os regulamentos nacionais e locais aplicáveis no local de utilização do dispositivo.

A utilização deste dispositivo pode estar restrita, consoante a rede local.

Restrições na banda de 2,4 GHz:

Noruega: Esta subsecção não se aplica à área geográfica num raio de 20 km desde o centro de Ny-Ålesund.

Restrições na banda de 5 GHz:

A função WLAN deste dispositivo está apenas restrita à utilização em interiores quando operar no intervalo de frequência de 5150 a 5350 MHz.

Aviso legal

Copyright © Huawei Technologies Co., Ltd. 2015. Todos os direitos reservados.

ESTE DOCUMENTO DESTINA-SE EXCLUSIVAMENTE A FINS INFORMATIVOS E NÃO CONSTITUI QUALQUER TIPO DE GARANTIA.

Política de privacidade

Para compreender melhor como nós protegermos as suas informações pessoais, consulte a política de privacidade em

<http://consumer.huawei.com/privacy-policy>.

Знакомство с телефоном

Перед началом работы ознакомьтесь с основными функциями Вашего нового устройства. Нажмите и удерживайте кнопку питания, чтобы включить или выключить телефон.

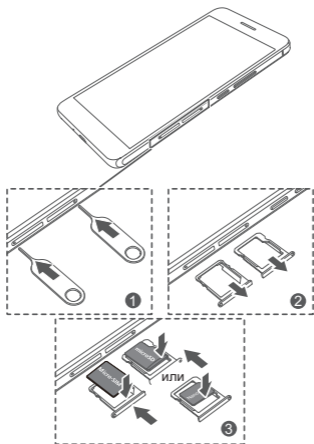
- i** Чтобы принудительно перезагрузить телефон, нажмите и удерживайте кнопку питания, пока устройство не завибрирует.



Начало работы

Подготовьте телефон к работе, следуя инструкциям на нижеприведенных рисунках. Не вставляйте и не извлекайте SIM-карту, когда телефон включен.

- ⊘ Будьте осторожны при использовании инструмента для извлечения SIM-карты, не пораньте пальцы и не повредите телефон. Храните инструмент для извлечения SIM-карты в недоступном для детей месте.
- ⚠ Вставьте SIM-карту в соответствующий слот, иначе телефон не сможет ее распознать.



Меры предосторожности

В данном разделе приведена важная информация по работе и безопасной эксплуатации вашего устройства. Внимательно прочтите данный раздел перед началом работы.

Медицинское оборудование

- Соблюдайте правила, принятые в больницах и медицинских учреждениях. Не используйте устройство, если его использование запрещено.
- Некоторые беспроводные устройства могут оказывать негативное влияние на работу кардиостимуляторов и слуховых аппаратов. За более подробной информацией обращайтесь к вашему оператору.
- Согласно рекомендациям производителей кардиостимуляторов, во избежание помех минимальное расстояние между беспроводным устройством и кардиостимулятором должно составлять 15 см. При использовании кардиостимулятора держите устройство с противоположной от кардиостимулятора стороны и не храните устройство в нагрудном кармане.

Условия эксплуатации



- Во избежание повреждения органов слуха не слушайте музыку на высокой громкости в течение длительного времени.

- Температура эксплуатации устройства - 0-35 °С. Температура хранения устройства - -20-70 °С. Не используйте устройство и его аксессуары в условиях экстремально высоких или низких температур.
- Не размещайте устройство вблизи источников тепла, например рядом с микроволновой печью, духовым шкафом или радиатором.
- Использование несовместимого или несертифицированного адаптера питания, зарядного устройства или аккумуляторной батареи может привести к возгоранию, взрыву и прочим опасным последствиям.
- Для подключаемых к сети электропитания устройств розетка должна находиться рядом с устройством, и к ней должен быть осуществлен беспрепятственный доступ.
- Не допускайте чрезмерного перегрева аккумуляторной батареи и попадания на нее прямых солнечных лучей. Не размещайте аккумуляторную батарею вблизи источников тепла, например рядом с микроволновой печью, духовым шкафом или радиатором. При перегреве аккумуляторная батарея может взорваться.
- Не сжигайте использованные аккумуляторные батареи. Это может привести к взрыву. Аккумуляторные батареи также могут взорваться при наличии повреждений.
- Производите утилизацию использованных аккумуляторных батарей согласно местным правилам. Неправильное использование аккумуляторной батареи может привести к

возгоранию, взрыву и другим опасным последствиям.

- На этом устройстве установлена встроенная несъемная аккумуляторная батарея. Не пытайтесь извлечь аккумуляторную батарею. В противном случае вы можете повредить устройство. По вопросу замены аккумуляторной батареи обратитесь в авторизованный сервисный центр.
- Данное устройство и его аксессуары не предназначены для детей. Дети могут пользоваться устройством только в присутствии взрослых.

Инструкции по утилизации



Этот знак на устройстве, его аккумуляторных батареях и (или) упаковочном материале обозначает, что данное устройство, его аксессуары (например, гарнитура, адаптер питания или кабель) и

аккумуляторные батареи не должны уничтожаться вместе с обычными бытовыми отходами.

Устройство и его аксессуары не должны уничтожаться вместе с неотсортированными бытовыми отходами, а должны быть переданы в сертифицированный пункт сбора для вторичной переработки или правильной утилизации.

Для получения более подробной информации о правилах утилизации устройства или аккумуляторной батареи обращайтесь в местную городскую администрацию, службу уничтожения бытовых отходов или магазин розничной

торговли, в котором было приобретено устройство.

Утилизация данного устройства и его аккумуляторных батарей осуществляется в соответствии с Директивой Европейского Союза по утилизации электрического и электронного оборудования (Директива 2012/19/EU), а также Директивой по использованию и утилизации аккумуляторных батарей (Директива 2006/66/EC). Целью утилизации электронного и электрического оборудования и аккумуляторных батарей отдельно от других бытовых отходов является минимизация количества вредных веществ, которые могут оказать негативное влияние на окружающую среду и здоровье человека.

Сокращение выбросов вредных веществ

Данное устройство отвечает Регламенту ЕС по регистрации, оценке, получению разрешения и ограничению применения химических веществ (REACH) (Регламент ЕС №1907/2006) и Директиве ЕС об ограничении содержания вредных веществ (RoHS) (Директива 2011/65/EC). Аккумуляторные батареи (если имеются) отвечают требованиям Директивы об использовании и утилизации аккумуляторных батарей (Директива 2006/66/EC). Для получения более подробной информации о соответствии устройства требованиям регламента REACH и директивы RoHS посетите веб-сайт <http://consumer.huawei.com/certification>.

Декларация соответствия ЕС

Ношение на теле

Данное устройство отвечает требованиям по радиочастотной безопасности, если используется около уха или на расстоянии 1,5 см от тела.

Аксессуары устройства, например чехол, не должны содержать металлических деталей.

Держите устройство на указанном расстоянии от тела.

Информация о сертификации (SAR)

Данное устройство удовлетворяет предельно допустимым уровням излучения радиочастотной энергии.

Данное устройство является приемопередатчиком радиосигналов малой мощности. Данное устройство сконструировано в соответствии с международными директивами по предельному уровню облучения в радиочастотном диапазоне. Данные директивы были разработаны независимой научно-исследовательской организацией "Международная комиссия по защите от неионизирующего излучения" (ICNIRP) и содержат допустимые границы безопасного облучения человека независимо от возраста и состояния здоровья.

Для определения уровня радиочастотного излучения, возникающего при работе беспроводных устройств, используется единица измерения, называемая удельным коэффициентом поглощения (SAR). Значение

SAR определяется в лабораторных условиях в режиме максимальной сертифицированной мощности передатчика. Фактическое значение уровня SAR для работающего устройства может оказаться значительно ниже. Это обусловлено тем, что конструкция устройства позволяет использовать минимальную мощность, достаточную для установления соединения с сетью.

Предельное значение SAR, принятое в Европе, составляет 2,0 Вт/кг с усреднением по 10 граммам ткани. Максимальное значение SAR для данного устройства соответствует указанному лимиту.

Максимальное значение SAR для устройств данного типа при использовании устройства около уха составляет 0,284 Вт/кг, при правильном ношении на теле - 0,464 Вт/кг.

Декларация

Настоящим компания Huawei Technologies Co., Ltd. заявляет, что устройство соответствует требованиям Директивы Совета Европы 1999/5/ЕС.

Копию декларации соответствия см. на веб-сайте <http://consumer.huawei.com/certification>.

Устройство маркировано:

CE 0197 

Данное устройство может использоваться во всех странах ЕС.

При использовании устройства соблюдайте национальные и региональные законы.

Использование данного устройства может быть ограничено (зависит от местной сети).

Ограничения в диапазоне 2,4 ГГц:

Норвегия: Данный подраздел не применяется к географической зоне радиусом 20 км от центра Нью-Олесунн.

Ограничения в диапазоне 5 ГГц:

Функцию WLAN на данном устройстве в диапазоне частот 5150-5350 МГц разрешено использовать только в помещениях.

Безопасность личных данных

Использование некоторых функций или приложений сторонних производителей может привести к потере Ваших личных данных или к тому, что эти данные станут доступными для других. Для защиты личной и конфиденциальной информации рекомендуется принять ряд соответствующих мер:

- Не оставляйте телефон без присмотра во избежание его несанкционированного использования.
- Всегда выполняйте блокировку экрана и создайте пароль или графический ключ для разблокировки.

- Периодически выполняйте копирование личных данных, которые хранятся на Вашей SIM/USIM-карте, карте памяти или в памяти устройства. Если Вы планируете использовать другое устройство, то убедитесь, что все Ваши личные данные перемещены или удалены со старого устройства.
- Во избежание заражения телефона вирусами удаляйте сообщения и письма от неизвестных адресатов, не открывая.
- При использовании устройства для работы в сети Интернет не посещайте сайты, угрожающие безопасности Вашего устройства, во избежание кражи Вашей личной информации.
- Если Вы пользуетесь такими услугами, как Wi-Fi или Bluetooth, то установите пароли при использовании данных услуг для предотвращения несанкционированного доступа. Если данные услуги не используются некоторое время, то рекомендуется их отключить.
- Установите и регулярно обновляйте антивирусное программное обеспечение, а также проверяйте устройство на наличие вирусов.
- Убедитесь в том, что приложения сторонних производителей получены из надежных источников. Загруженные сторонние приложения должны проходить проверку на наличие вирусов.

- Всегда устанавливайте антивирусное ПО или патчи компании Huawei или сторонних производителей.
- Для работы некоторых приложений требуются данные о местоположении. В результате сторонние лица могут получить доступ к данным о Вашем местоположении.
- Ваше устройство может предоставлять диагностическую информацию производителям сторонних приложений. Сторонние производители используют эту информацию для улучшения своих продуктов и услуг.

Уведомления

Copyright © Huawei Technologies Co., Ltd.
2015. Все права защищены.

ДАННЫЙ ДОКУМЕНТ ПРЕДОСТАВЛЯЕТСЯ
ТОЛЬКО В ИНФОРМАЦИОННЫХ ЦЕЛЯХ БЕЗ
КАКИХ-ЛИБО ЯВНЫХ ИЛИ НЕЯВНЫХ
ГАРАНТИЙ.

Политика конфиденциальности

Меры, принимаемые компанией Huawei для
защиты Вашей личной информации, описаны в
Политике конфиденциальности
<http://consumer.huawei.com/privacy-policy>.

Последние обновления и адрес эл. почты по
странам или регионам представлены на сайте:
<http://consumer.huawei.com/ru/support>.

Интернет-магазин: <http://shop.huawei.ru/>



Информация о соответствии продукции требованиям Технических регламентов Таможенного союза

(вкладыш к руководству по эксплуатации)

1.	Изготовитель, адрес	Huawei Technologies Co., Ltd. КНР, 518129, г. Шэньчжэнь, Лунган, Баньянь, Промышленная зона Huawei Тел.: +86-755-28780808
2.	Наименование и местонахождение уполномоченного лица (импортер — если партия)	ООО «Техкомпания Хуавэй» 121614, г. Москва, ул. Крылатская, д. 17, корпус 2
3.	Информация для связи	info-cis@huawei.com +7 (495) 234-0686
4.	Торговая марка	Huawei
5.	Наименование и обозначение	Абонентский терминал HUAWEI honor 6 Plus модели PE-TL10
6.	Назначение	Данный абонентский терминал является терминальным оборудованием для подключения к операторским сетям стандарта 2G,3G,4G для передачи речи и передачи данных, с поддержкой различных профилей подключения (Wi-Fi, Bluetooth и пр.)
7.	Характеристики и параметры	GSM/UMTS/LTE/Wi-Fi
8.	Питание	-адаптер питания: 100-240В, 50/60Гц -аккумуляторная батарея: 3500 мА*ч (минимум), 3600 мА*ч (стандарт)
9.	Страна производства	Китай

10.	Соответствует ТР ТС	— ТР ТС 004/2011 «О безопасности низковольтного оборудования», — ТР ТС 020/2011 «Электромагнитная совместимость технических средств»
11.	Правила и условия безопасной эксплуатации (использования)	Оборудование предназначено для использования в закрытых отапливаемых помещениях при температуре окружающего воздуха 0-35 град. С, и относительной влажности не выше 95%. Оборудование не нуждается в периодическом обслуживании в течение срока службы. Срок службы 5 лет.
12.	Правила и условия монтажа	Монтаж оборудования производится в соответствии с «Руководством по установке», прилагаемом к данному оборудованию
13.	Правила и условия хранения	Оборудование должно храниться в закрытых помещениях, в заводской упаковке, при температуре окружающего воздуха -20-70 град. С, и относительной влажности не выше 95%. Срок хранения 3 года. Допускается штабелирование по высоте не более 10 шт.
14.	Правила и условия перевозки (транспортирования)	Перевозка и транспортировка оборудования допускается только в заводской упаковке, любыми видами транспорта, без ограничения расстояний.
15.	Правила и условия реализации	Без ограничений
16.	Правила и условия утилизации	По окончании срока службы оборудования, обратитесь к официальному дилеру для утилизации оборудования.

17. Правила и условия подключения к электрической сети и другим техническим средствам, пуска, регулирования и введения в эксплуатацию	Производится в соответствии с «Руководством по установке», прилагаемом к данному оборудованию
18. Сведения об ограничениях в использовании с учетом предназначения для работы в жилых, коммерческих и производственных зонах	Оборудование предназначено для использования в жилых, коммерческих и производственных зонах без воздействия опасных и вредных производственных факторов. Оборудование предназначено для круглосуточной непрерывной эксплуатации без постоянного присутствия обслуживающего персонала
19. Информацию о мерах при неисправности оборудования	В случае обнаружения неисправности оборудования: — выключите оборудование, — отключите оборудование от электрической сети, — обратитесь в сервисный центр или к авторизованному дилеру для получения консультации или ремонта оборудования
20. Месяц и год изготовления и (или) информация о месте нанесения и способе определения года изготовления	Дата изготовления устройства указана в серийном номере на коробке. Для получения более подробной информации посетите веб-сайт http://consumer.huawei.com/ru/support/
21. Знак соответствия	EAC

Sơ lược về điện thoại của bạn

Trước khi bắt đầu, chúng ta hãy xem thử chiếc điện thoại mới của bạn.

Bấm và giữ nút nguồn để bật hoặc tắt điện thoại.

- i** Để buộc khởi động lại điện thoại của bạn, hãy bấm và giữ nút nguồn cho đến khi điện thoại rung nhẹ.

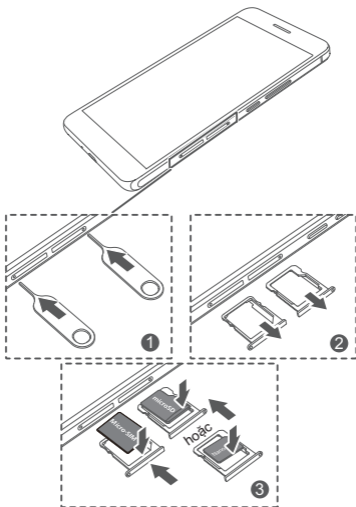


Bắt đầu sử dụng

Làm theo hướng dẫn trong các hình sau để thiết lập điện thoại của bạn. Không lắp hoặc tháo thẻ SIM khi điện thoại của bạn đang bật.

⊘ Hãy thận trọng khi dùng ghim đẩy SIM để tránh làm tổn thương ngón tay hoặc làm hư hỏng điện thoại của bạn. Cất giữ ghim ở nơi an toàn ngoài tầm với của trẻ em để ngăn chúng nuốt phải hoặc làm tự làm chúng bị thương do tai nạn.

⚠ Lắp thẻ SIM vào đúng khe cắm thẻ nhằm đảm bảo điện thoại có thể nhận biết được nó.



Thông tin an toàn

Mục này chứa thông tin quan trọng về việc vận hành thiết bị của bạn. Nó cũng chứa thông tin về cách sử dụng thiết bị một cách an toàn. Hãy đọc kỹ thông tin này trước khi sử dụng thiết bị của bạn.

Gây nhiều thiết bị y tế

- Tuân thủ nội quy và quy định do các bệnh viện và cơ sở chăm sóc sức khỏe đề ra. Không sử dụng thiết bị của bạn tại nơi bị cấm.
- Một số thiết bị không dây có thể ảnh hưởng đến hiệu suất của máy trợ thính hoặc máy điều hòa nhịp tim. Hãy tham vấn nhà cung cấp dịch vụ của bạn để biết thêm thông tin.
- Các nhà sản xuất máy trợ thính khuyên rằng cần duy trì một khoảng cách tối thiểu là 15 cm giữa thiết bị và máy trợ thính để ngăn chặn sự gây nhiễu tiềm ẩn đối với máy trợ thính. Nếu đang sử dụng máy trợ thính, hãy cầm thiết bị ở phía đối diện máy trợ thính và không để thiết bị ở túi ngực của bạn.

Môi trường hoạt động



- Để tránh việc có thể gây tổn thương thính lực, không nghe ở các mức âm thanh lớn trong thời gian dài.
- Các nhiệt độ hoạt động lý tưởng là 0°C đến 35°C. Các nhiệt độ lưu kho lý tưởng là -20°C đến 70°C. Quá nóng hoặc quá lạnh có thể gây hư hại cho thiết bị hoặc phụ kiện của bạn.

- Giữ thiết bị xa các nguồn nhiệt và lửa, như lò sưởi, lò vi sóng, lò nước, bình đun nước, máy bức xạ nhiệt hoặc nến.
- Sử dụng bộ đổi nguồn, bộ sạc hoặc pin không đúng tiêu chuẩn hoặc không tương thích có thể gây cháy, nổ hoặc các mối nguy hiểm.
- Đối với thiết bị có thể cắm vào ổ cắm, ổ cắm phải được lắp gần thiết bị và có thể dễ dàng tiếp cận.
- Để pin cách xa nơi quá nóng hoặc tránh ánh sáng trực tiếp. Không để nó trên hoặc trong các thiết bị nung nóng, như các lò vi sóng, bếp lò, hoặc lò sưởi. Pin có thể nổ nếu bị quá nhiệt.
- Không ném pin vào lửa vì chúng có thể phát nổ. Các pin đã hư hại cũng có thể phát nổ.
- Thải bỏ pin đã qua sử dụng theo đúng các quy định tại địa phương. Sử dụng pin không đúng cách có thể gây cháy, nổ, hoặc các nguy hiểm khác.
- Thiết bị có pin tích hợp, không thể tháo rời. Không cố tháo pin khỏi máy, nếu không thiết bị sẽ bị hư hại. Để thay pin, hãy mang thiết bị đến trung tâm dịch vụ được ủy quyền.
- Thiết bị và phụ kiện của nó không dành cho trẻ em sử dụng. Trẻ em chỉ nên sử dụng thiết bị khi có sự giám sát của người lớn.

Thông tin về việc thải bỏ và tái chế



Biểu tượng này (có hoặc không có thanh liền) trên thiết bị, trên pin (nếu có), và/hoặc trên bao bì, biểu thị rằng thiết bị và các phụ kiện điện của nó (ví dụ, tai nghe, bộ đổi điện, hoặc cáp) và pin không được thải bỏ như rác thải

sinh hoạt. Những hạng mục này không được thải bỏ như chất thải đô thị chưa phân loại và nên được đem đến các điểm thu gom được cấp phép để được tái chế hoặc thải bỏ đúng cách.

Để biết thông tin chi tiết hơn về việc tái chế thiết bị hoặc pin, hãy liên lạc với văn phòng thành phố, dịch vụ thải bỏ chất thải sinh hoạt, hoặc cửa hàng bán lẻ của bạn.

Việc thải bỏ thiết bị và pin (nếu có) phải tuân thủ Chỉ thị WEEE Soạn lại (Chỉ thị 2012/19/EU) và Chỉ thị về Pin (Chỉ thị 2006/66/EC). Mục đích cần tách WEEE và pin ra khỏi các loại rác thải khác là để giảm thiểu tác động môi trường và các nguy cơ về sức khỏe con người do bất kỳ chất độc hại nào có thể tồn tại.

Giảm thiểu các chất độc hại

Thiết bị này tuân thủ Quy định REACH [Quy định (EC) Số 1907/2006] và Chỉ thị RoHS Soạn lại (Chỉ thị 2011/65/EU). Pin (nếu có) tuân thủ Chỉ thị về Pin (Chỉ thị 2006/66/EC). Để biết thông tin cập nhật về tuân thủ REACH và RoHS, hãy truy cập trang web <http://consumer.huawei.com/certification>.

Phù hợp với quy định của Liên minh Châu Âu

Vận hành Thiết bị Bên người

Thiết bị này tuân thủ các tiêu chuẩn kỹ thuật về tần số vô tuyến khi được sử dụng gần tai bạn hoặc cách người bạn 1,5 cm. Đảm bảo rằng các phụ kiện thiết bị, như hộp đựng thiết bị và bao đeo thiết bị không chứa các thành phần bằng kim loại. Để thiết bị cách xa cơ thể bạn để đáp ứng yêu cầu về khoảng cách.

Thông tin xác nhận (SAR)

Thiết bị này đáp ứng các quy định về phơi nhiễm sóng vô tuyến.

Thiết bị của bạn là một thiết bị thu và phát sóng vô tuyến nguồn thấp. Theo khuyến cáo của các hướng dẫn quốc tế, thiết bị được thiết kế để không vượt quá các giới hạn về phơi nhiễm sóng vô tuyến. Những hướng dẫn này do Ủy ban Quốc tế về Bảo vệ Bức xạ Không ion hóa (ICNIRP), một tổ chức khoa học độc lập phát triển, và gồm các biện pháp an toàn được thiết kế để đảm bảo an toàn cho tất cả những người sử dụng, không phân biệt tuổi tác và tình trạng sức khỏe.

Tỷ lệ Hấp thu Đặc biệt (SAR) là đơn vị đo lường cho mức năng lượng tần số vô tuyến được hấp thụ bởi cơ thể khi sử dụng thiết bị vô tuyến. Giá trị SAR được đo bằng mức công suất cao nhất được chứng thực trong các điều kiện của phòng thí nghiệm, mức SAR thực tế trong suốt thời gian vận hành có thể thấp hơn giá trị này. Điều này là do thiết bị được thiết kế để sử dụng công suất tối thiểu cần để kết nối với mạng.

Giới hạn SAR áp dụng tại Châu Âu là trung bình 2,0 W/kg cho 10 gam giấy lụa, giá trị SAR cao nhất dành cho thiết bị này tuân thủ giới hạn này.

Giá trị SAR cao nhất được báo cáo đối với loại thiết bị này khi được sử dụng ở tai là 0,284 W/kg, và khi được đeo đúng cách trên cơ thể là 0,464 W/kg.

Tuyên bố

Theo đó, Huawei Technologies Co., Ltd. tuyên bố rằng thiết bị này tuân thủ mọi quy định cơ bản và những quy định liên quan đến Chỉ thị 1999/5/EC.

Để biết tuyên bố tuân thủ quy định này, hãy truy cập trang web <http://consumer.huawei.com/certification>.

Việc đánh dấu sau cũng bao gồm trong sản phẩm:

CE 0197

Thiết bị này có thể được sử dụng ở tất cả các nước thành viên Liên minh châu Âu (EU).

Tuân thủ các quy định quốc gia và địa phương nơi thiết bị được sử dụng.

Thiết bị này có thể bị hạn chế sử dụng, phụ thuộc vào mạng địa phương.

Các giới hạn trên dải tần 2,4 GHz:

Na-uy: Tiêu mục này không áp dụng cho các vùng địa lý trong vòng bán kính 20 km tính từ trung tâm Ny-Ålesund.

Các giới hạn trên dải tần 5 GHz:

Chức năng WLAN của thiết bị này chỉ bị hạn chế đối với việc sử dụng trong nhà khi vận hành ở dải tần số từ 5150 đến 5350.

Thông Báo Pháp Lý

**Bản quyền © Huawei Technologies Co., Ltd.
2015. Bảo lưu mọi quyền.**

TÀI LIỆU NÀY CHỈ DÀNH CHO MỤC ĐÍCH THAM
KHẢO, VÀ KHÔNG CHỨA ĐỰNG BẤT CỨ SỰ BẢO
HÀNH NÀO.

Chính sách Quyền riêng tư

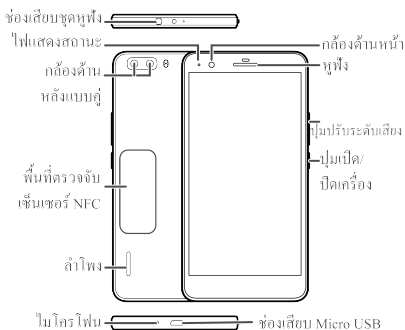
Để hiểu hơn về cách thức chúng tôi bảo vệ thông tin cá nhân của bạn, vui lòng xem chính sách quyền riêng tư tại <http://consumer.huawei.com/privacy-policy>.

การใช้โทรศัพท์ที่ในครั้งแรก

ก่อนเริ่มต้นใช้งาน กรุณาตรวจสอบโทรศัพท์เครื่องใหม่ของคุณ

กดปุ่มเปิด-ปิดเครื่องค้างไว้ เพื่อเปิดหรือปิดโทรศัพท์ของคุณ

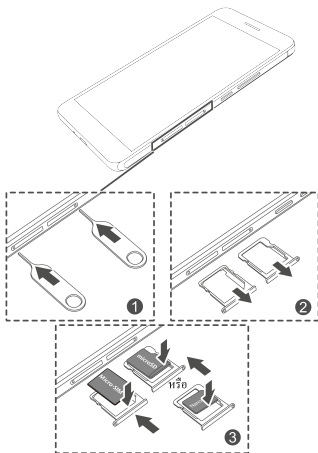
- ❗ หากต้องการบังคับให้โทรศัพท์ของคุณรีสตาร์ท
กดปุ่มเปิด-ปิดเครื่องค้างไว้จนกว่าโทรศัพท์ของคุณจะสั่น



เริ่มต้นใช้งาน

ปฏิบัติตามคำแนะนำในภาพต่อไปนี้เพื่อดำเนินการตั้งค่าโทรศัพท์
อย่าใส่หรือถอดซิมการ์ดขณะที่เปิดเครื่องโทรศัพท์ของคุณอยู่

- ⊘ กรุณาใช้ความระมัดระวังเมื่อใช้เข็มหมุดคีบซิมการ์ดออกเพื่อหลีกเลี่ยงการบาดเจ็บที่นิ้วมือของคุณหรือสร้างความเสียหายให้โทรศัพท์ของคุณ จัดเก็บเข็มหมุดของคุณในสถานที่ที่ปลอดภัยและห่างจากมือเด็กเพื่อป้องกันมิให้เด็กกลืนกินหรือได้รับบาดเจ็บ โดยอุบัติเหตุ
- ⚠ ใส่ซิมการ์ดในช่องใส่การ์ดที่ถูกต้องเพื่อให้แน่ใจว่าโทรศัพท์สามารถระบุซิมการ์ดได้



ข้อมูลความปลอดภัย

ในส่วนนี้ประกอบด้วยข้อมูลที่สำคัญเกี่ยวกับการใช้งานอุปกรณ์ของคุณ และยังประกอบด้วยข้อมูลเกี่ยวกับวิธีการใช้งานอุปกรณ์อย่างปลอดภัย คุณควรอ่านข้อมูลอย่างละเอียดก่อนการใช้งานอุปกรณ์ของคุณ

สัญญาณรรบกวนต่ออุปกรณ์ทางการแพทย์

- ปฏิบัติตามกฎหมายและระเบียบข้อบังคับที่โรงพยาบาลและสถานพยาบาลต่าง ๆ กำหนดไว้ อย่าใช้อุปกรณ์ของคุณในสถานที่ที่ห้ามไม่ให้ใช้งานอุปกรณ์
- อุปกรณ์ไร้สายบางชนิดอาจส่งผลกระทบต่อการทำงานของเครื่องช่วยฟังหรือเครื่องกระตุ้นหัวใจ ติดต่อผู้ให้บริการเครื่องช่วยฟังของคุณเพื่อขอข้อมูลเพิ่มเติม
- ผู้ผลิตเครื่องกระตุ้นหัวใจแนะนำว่าอย่างน้อยที่สุดอุปกรณ์จะต้องอยู่ห่างจากเครื่องกระตุ้นหัวใจอย่างน้อย 15 เซนติเมตรเพื่อป้องกันอุปกรณ์ไปรบกวนการทำงานของเครื่องกระตุ้นหัวใจ ถ้าหากว่าคุณกำลังใช้งานเครื่องกระตุ้นหัวใจ ให้ถืออุปกรณ์ในด้านตรงข้ามกับเครื่องกระตุ้นหัวใจ และอย่าพกพาอุปกรณ์ไว้ในกระเป๋าเสื้อด้านหน้า

สถานะแวดล้อมในการใช้งาน



- เพื่อเป็นการป้องกัน โอกาสที่จะเกิดอันตรายต่อการได้ยินของคุณ อย่าฟังเพลงเสียงดังเป็นเวลานาน
- อุณหภูมิที่เหมาะสมสำหรับการใช้งานคือ 0 °C ถึง 35 °C
อุณหภูมิที่เหมาะสมสำหรับการจัดเก็บคือ -20 °C ถึง 70 °C
อุณหภูมิที่ร้อนหรือเย็นจัดอาจทำให้อุปกรณ์หรืออุปกรณ์เสริมของคุณเสียหายได้
- จัดเก็บอุปกรณ์ให้ห่างจากแหล่งของความร้อนและไฟ อย่างเช่น เครื่องทำความร้อน เตอบไมโครเวฟ เตาไฟ เครื่องทำน้ำร้อน เเรดิเอเตอร์ หรือ เทียนไข

- การใช้งานอะแดปเตอร์ไฟฟ้า ที่ชาร์จ หรือแบตเตอรี่ที่ไม่ได้รับการรับรองหรือเข้ากันไม่ได้ อาจเป็นสาเหตุให้เกิดเพลิงไหม้ การระเบิด หรืออันตรายอื่น ๆ ได้
- สำหรับอุปกรณ์ที่เสียบปลั๊กได้ ควรคิดตั้งเด้ารับไว้ใกล้กับอุปกรณ์ และควรเข้าใช้งานได้ง่าย
- เก็บแบตเตอรี่ให้ห่างจากสถานที่ที่ร้อนเกินไปหรือถูกแสงแดดโดยตรง อย่างไรก็ตามแบตเตอรี่บนหรือในอุปกรณ์ทำความร้อน เช่น เต้าไมโครเวฟ เต้าไฟ หรือเรดิเอเตอร์ แบตเตอรี่อาจจะระเบิดได้หากร้อนเกินไป
- อย่าทิ้งแบตเตอรี่ในกองไฟเนื่องจากอาจเกิดการระเบิด นอกจากนี้ แบตเตอรี่ที่เสียหายก็อาจระเบิดได้เช่นกัน
- กำจัดแบตเตอรี่ที่ใช้แล้วตามระเบียบข้อบังคับในท้องถิ่น การใช้งานแบตเตอรี่อย่างไม่ถูกต้องอาจทำให้เกิดเพลิงไหม้ การระเบิด หรืออันตรายอื่น ๆ ได้
- อุปกรณ์เครื่องนี้มีแบตเตอรี่ติดตั้งอยู่ในเครื่องและไม่สามารถถอดออกได้ อย่างไรก็ตามถอดแบตเตอรี่ออก มิเช่นนั้น อุปกรณ์อาจเสียหายได้ หากต้องการเปลี่ยนแบตเตอรี่ ให้นำอุปกรณ์ไปที่ศูนย์บริการที่ได้รับอนุญาต
- อุปกรณ์และอุปกรณ์เสริมต่าง ๆ ของอุปกรณ์ไม่ได้ออกแบบไว้สำหรับให้เด็กใช้งาน เด็ก ๆ ควรใช้งานอุปกรณ์เมื่อมีผู้ใหญ่กำกับดูแลอยู่เท่านั้น

การปกป้องสิ่งแวดล้อม

- ไม่ควรกำจัดอุปกรณ์และอุปกรณ์เสริมของอุปกรณ์ (หากรวมอยู่ด้วย) เช่น อะแดปเตอร์ไฟฟ้า ชุดหูฟัง และแบตเตอรี่ รวมกับขยะในครัวเรือน
- กำจัดอุปกรณ์และอุปกรณ์เสริมต่าง ๆ ของอุปกรณ์ตามระเบียบข้อบังคับในท้องถิ่น เราสนับสนุนการจัดเก็บขยะอย่างเหมาะสมและการรีไซเคิล

ข้อมูลการกำจัดและการรีไซเคิล



สัญลักษณ์นี้ (ไม่ว่าจะมีแถบสีที่บดด้วยหรือไม่) บนอุปกรณ์
แบตเตอรี่ (หากรวมอยู่ด้วย)

และ/หรือบนบรรจุภัณฑ์ของอุปกรณ์

บ่งชี้ว่าไม่ควรกำจัดอุปกรณ์และอุปกรณ์เสริมที่เป็นอุปกรณ์

ไฟฟ้า (เช่น ชุดหูฟัง อะแดปเตอร์ หรือสายไฟ) และแบตเตอรี่ต่าง ๆ
แบบขยะในครัวเรือน

ไม่ควรกำจัดอุปกรณ์เหล่านี้แบบขยะเทศบาลที่ไม่ได้คัดแยก

และควรนำไปส่งให้กับจุดจัดเก็บขยะที่ได้รับอนุญาตเพื่อนำไปรีไซเคิล
หรือกำจัดทิ้งอย่างเหมาะสม

สำหรับข้อมูล โดยละเอียดเกี่ยวกับการรีไซเคิลอุปกรณ์หรือแบตเตอรี่
ให้ติดต่อสำนักงานเขตในท้องถิ่นของคุณ บริการกำจัดขยะในครัวเรือน
หรือร้านค้าปลีก

การกำจัดอุปกรณ์และแบตเตอรี่ (หากรวมอยู่ด้วย)

ต้องปฏิบัติตามระเบียบของสหภาพยุโรปว่าด้วยขยะจากอุปกรณ์ไฟฟ้าและ
อุปกรณ์อิเล็กทรอนิกส์ (WEEE) ฉบับปรับปรุงใหม่ (Directive 2012/19/EU)
และอุปกรณ์แบตเตอรี่ (Directive 2006/66/EC)

วัตถุประสงค์ในการแยกขยะจากอุปกรณ์ไฟฟ้าและอุปกรณ์อิเล็กทรอนิกส์และ
แบตเตอรี่ออกจากขยะอื่น ๆ คือเพื่อลดผลกระทบที่อาจเกิดขึ้นกับสิ่งแวดล้อม
และอันตรายต่อสุขภาพของมนุษย์อันเนื่องมาจากสารอันตรายที่เหลือ sót
ที่

การลดสารอันตราย

อุปกรณ์นี้ผลิตขึ้นตรงตามมาตรฐานของระเบียบข้อบังคับของ REACH (EC)
No 1907/2006] และระเบียบของ RoHS ฉบับปรับปรุงใหม่ (Directive
2011/65/EU) แบตเตอรี่ (หากรวมอยู่ด้วย)

ผลิตขึ้นตรงตามมาตรฐานของระเบียบว่าด้วยเรื่องแบตเตอรี่ (Directive
2006/66/EC) หากต้องการข้อมูลล่าสุดเกี่ยวกับการตรงตามมาตรฐานของ

REACH และ RoHS กรุณาเยี่ยมชมเว็บไซต์

<http://consumer.huawei.com/certification>

การปฏิบัติตามระเบียบของสหภาพยุโรป

การใช้งานเมื่อพกพาไว้บนร่างกาย

อุปกรณ์นี้ผลิตขึ้นตรงตามข้อกำหนดเฉพาะเกี่ยวกับคลื่นความถี่วิทยุในการใช้งานอุปกรณ์ใกล้เคียงกับบริเวณหูที่ระยะห่างจากร่างกาย 1.5 เซนติเมตร ตรวจสอบว่าอุปกรณ์เสริมของอุปกรณ์ เช่น

เคสของอุปกรณ์และซองพกพาไม่มีส่วนประกอบของโลหะ

เก็บอุปกรณ์ของคุณไว้ให้ห่างจากร่างกายตามข้อกำหนดเกี่ยวกับระยะห่าง

ข้อมูลการรับรอง (SAR)

อุปกรณ์นี้ผลิตขึ้นตรงตามแนวปฏิบัติในเรื่องของการกระจายคลื่นวิทยุ อุปกรณ์ของคุณเป็นอุปกรณ์ที่ทำหน้าที่รับและส่งคลื่นวิทยุพลังงานต่ำ ตามคำแนะนำของแนวปฏิบัติสากล

อุปกรณ์นี้ได้รับการออกแบบเพื่อให้มีพลังงานของคลื่นวิทยุไม่เกินที่กำหนด แนวทางเหล่านี้สร้างขึ้นโดยคณะกรรมการระหว่างประเทศเกี่ยวกับรังสีที่ไม่ก่อให้เกิด ไอออน (International Commission on Non-Ionizing Radiation Protection หรือ ICNIRP) องค์กรอิสระด้านวิทยาศาสตร์

และมาตรการความปลอดภัยที่ออกแบบมาเพื่อความปลอดภัยสำหรับผู้ใช้งานทั้งหมดในทุก ๆ ช่วงอายุและสุขภาพ

อัตราการดูดซึมพลังงานคลื่นวิทยุ (SAR)

เป็นหน่วยสำหรับการวัดปริมาณพลังงานคลื่นความถี่วิทยุที่ร่างกายได้รับขณะที่ใช้งานอุปกรณ์ โดยค่า SAR

นี้จะมีการวัดค่าที่ระดับสูงสุดของพลังงานภายใต้เงื่อนไขของการทดสอบในห้องทดลอง แต่ค่า SAR

ที่แท้จริงขณะใช้งานอุปกรณ์นี้อาจมีระดับที่ต่ำกว่าค่าดังกล่าว

เนื่องจากอุปกรณ์นี้ได้รับการออกแบบมาเพื่อให้ใช้พลังงานต่ำสุดในการเชื่อมต่อกับเครือข่าย

ขีดจำกัดของค่า SAR ที่ทวีปยุโรปปรับมาใช้เฉลี่ยอยู่ที่ 2.0 วัตต์/กิโลกรัม ต่อเนื้อเยื่อ 10 กรัม และค่า SAR

สูงสุดสำหรับอุปกรณ์นี้สอดคล้องตามขีดจำกัดนี้

ค่า SAR สูงสุดที่รายงานไว้สำหรับอุปกรณ์ชนิดนี้

เมื่อทดสอบสำหรับการใช้งานที่หูคือ 0.284 วัตต์/กิโลกรัม

และเมื่อพกพาไว้ตามปกติดบนร่างกายคือ 0.464 วัตต์/กิโลกรัม

คำแถลง

Huawei Technologies Co., Ltd

รับรองว่าอุปกรณ์นี้ผลิตขึ้นตรงตามมาตรฐานของข้อกำหนดที่สำคัญและ บทบัญญัติอื่น ๆ ที่เกี่ยวข้องของระเบียบ 1999/5/EC

สำหรับข้อมูลเพิ่มเติมเกี่ยวกับการตรงตามมาตรฐาน กรุณาเยี่ยมชมเว็บไซต์

<http://consumer.huawei.com/certification>

เครื่องหมายต่อไปนี้ได้รวมอยู่ในผลิตภัณฑ์:

CE 0197 !

อุปกรณ์นี้อาจใช้งานได้ในทุกรัฐสมาชิกของสหภาพยุโรป (EU)

คุณควรปฏิบัติตามกฎหมายและระเบียบข้อบังคับของแต่ละท้องถิ่นและ ประเทศที่คุณใช้งานอุปกรณ์

อุปกรณ์นี้อาจใช้งานได้อย่างจำกัด ขึ้นอยู่กับเครือข่ายท้องถิ่น

ข้อจำกัดสำหรับย่านความถี่ 2.4 GHz:

ประเทศนอร์เวย์:

ข้อมูลในส่วนย่อยนี้ไม่มีผลบังคับใช้สำหรับพื้นที่ทางภูมิศาสตร์ภายในระยะ 20 กม. จากศูนย์กลางของ Ny-Ålesund

ข้อจำกัดสำหรับย่านความถี่ 5 GHz:

ฟังก์ชัน WLAN ของอุปกรณ์นี้ถูกจำกัดให้ใช้งานเฉพาะในอาคารเท่านั้น

เมื่ออุปกรณ์ทำงานในย่านความถี่ 5150 ถึง 5350 MHz

หมายเหตุทางกฎหมาย

ลิขสิทธิ์ © Huawei Technologies Co., Ltd. 2015

ขอสงวนลิขสิทธิ์ทุกประการ

เอกสารนี้จัดทำขึ้นเพื่อวัตถุประสงค์ในการให้ข้อมูลเท่านั้น
และไม่ก่อให้เกิดการรับประกันในรูปแบบใด ๆ ทั้งสิ้น

นโยบายความเป็นส่วนตัว

เพื่อความเข้าใจว่าเรามีวิธีการในการป้องกันข้อมูลส่วนบุคคลของคุณอย่างไร
กรุณาดูนโยบายความเป็นส่วนตัวของเราได้ที่

<http://consumer.huawei.com/privacy-policy>